

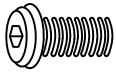
KNIGHTS / 4FT6 / DOUBLE ASSEMBLY INSTRUCTIONS

1. PLEASE READ THESE INSTRUCTIONS CAREFULLY
2. DO NOT THROW AWAY PACKAGING MATERIALS UNTIL ASSEMBLY IS COMPLETE.
3. ASSEMBLE THIS ITEM ON A SOFT RUG AND SMOOTH SURFACE, SUCH AS A RUG OR CARPET, TO PROTECT THE FINISH.
4. TWO PEOPLE ARE REQUIRED TO ASSEMBLE THIS PRODUCT.
5. ONLY TIGHTEN THE SCREWS WHEN THE BED IS FULLY ASSEMBLED.
6. WHEN THE BED IS ASSEMBLED AND READY TO USE FOR THE FIRST TIME AND THE FRAME IS IN ITS UPRIGHT POSITION, YOU MAY HAVE TO PULL DOWN FAIRLY FIRM ON THE FRAME TO RELEASE THE GAS IN THE ARMS.
7. IF ANY OF THE BED PARTS ARE MISSING, PLEASE CONTACT YOUR RETAILER AS SOON AS POSSIBLE AND QUOTE THE MISSING PART NUMBER ALONG WITH YOUR FULL POSTAL ADDRESS. THIS WILL ENSURE THAT THE MISSING PART IS DISPATCHED TO YOU SPEEDILY.
8. IN THE EVENT OF ANY COURIER DAMAGE OR FAULT THAT IS SPOTTED ON OPENING THE BOXES, IT IS ESSENTIAL THAT ALL THE COMPONENTS FROM THE AFFECTED BOX ARE PACKED BACK IN THE ORIGINAL BOX AND SAFELY SECURED. PLEASE SEND PHOTOGRAPHS OF THE DAMAGE/FAULT TO YOUR RETAILER, QUOTING THE BED SIZE AND COLOUR SO THAT THE MATTER CAN BE QUICKLY RESOLVED. THIS PROCESS USUALLY TAKES APPROXIMATELY 3-4 WORKING DAYS.

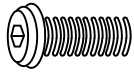
HARDWARE LIST

PART LIST

(A) Bolt M8 x 16mm - 20pcs



(B) Bolt M8 x 30mm - 10pcs



(C) Bolt M6 x 30mm - 4pcs



(D) Washer M6 x 13mm - 4pcs



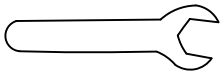
(E) CSK M5 x 50mm - 22pcs



(F) Adjustable Foot - 1pc



(G) Spanner - 1pc



(H) Allen Key M5 - 1pc



(I) Allen Key M4 - 1pc



(J) Single Plastic Cap x 28pcs



(K) Double Plastic Cap x 14pcs



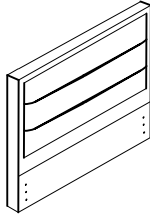
(L) Mattress Stopper - 2pcs



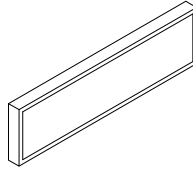
(M) Metal Corner Plate - 2pcs



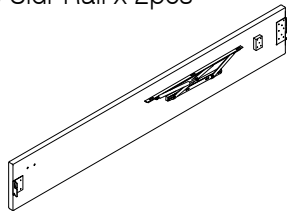
(1) Headboard x 1pc



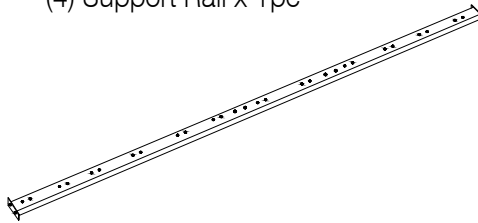
(2) Footboard x 1pc



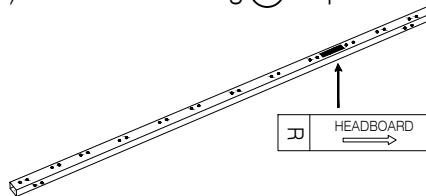
(3) Side Rail x 2pcs



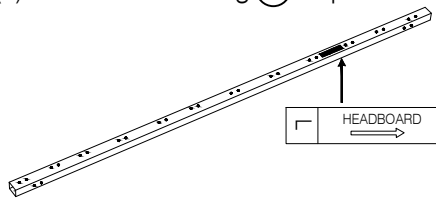
(4) Support Rail x 1pc



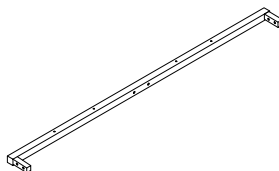
(5) Metal Frame Long (R) x 1pc



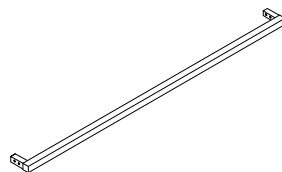
(6) Metal Frame Long (L) x 1pc



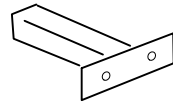
(7) Metal Frame Short x 1pc



(8) Metal Frame Short x 1pc



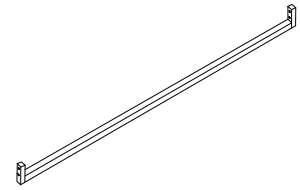
(9) Support Leg x 1pc



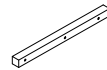
(10) Headboard Support Wood x 1pc



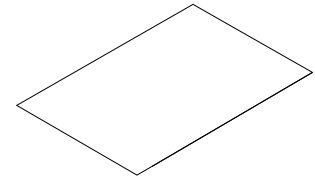
(11) Center Support Bar x 1pc



(12) Footboard Support Wood x 1pc



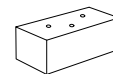
(13) Non Woven Fabric x 1pc



(14) Slats x 28pcs



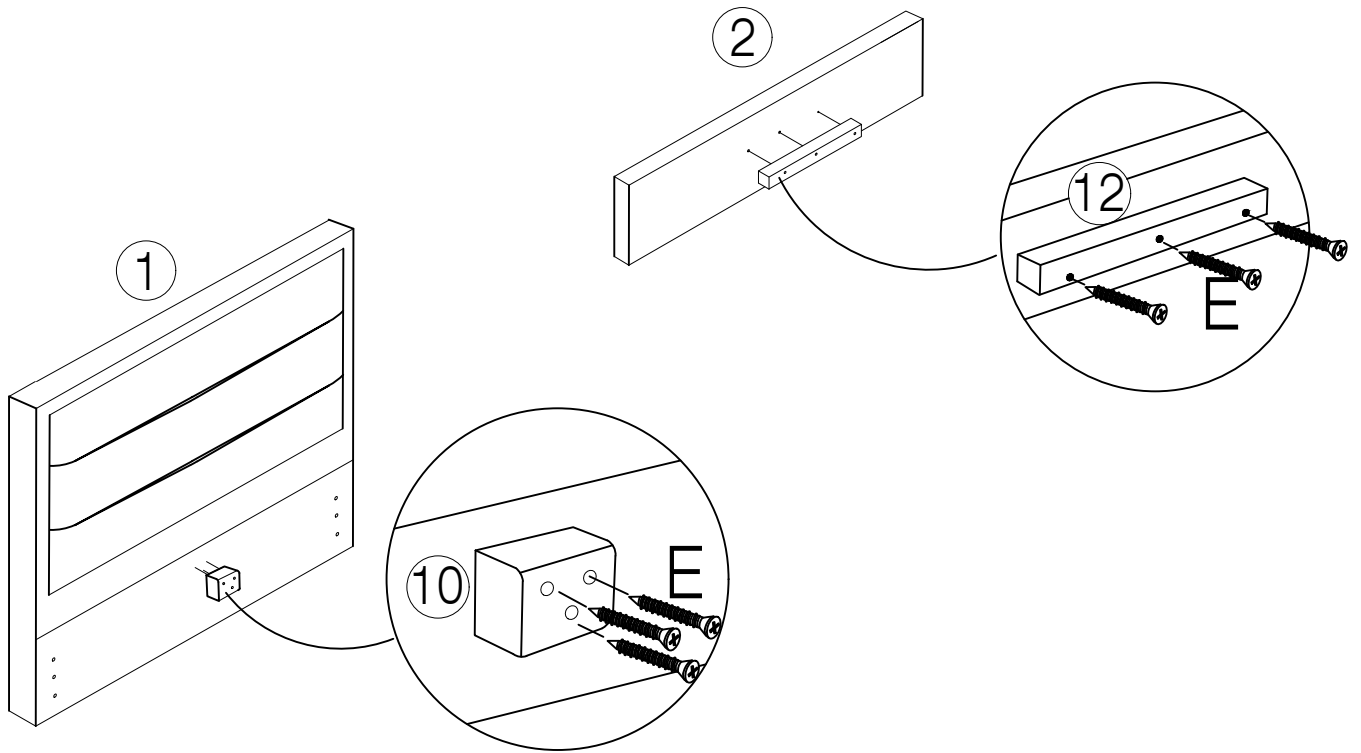
(15) Feet x 4pcs



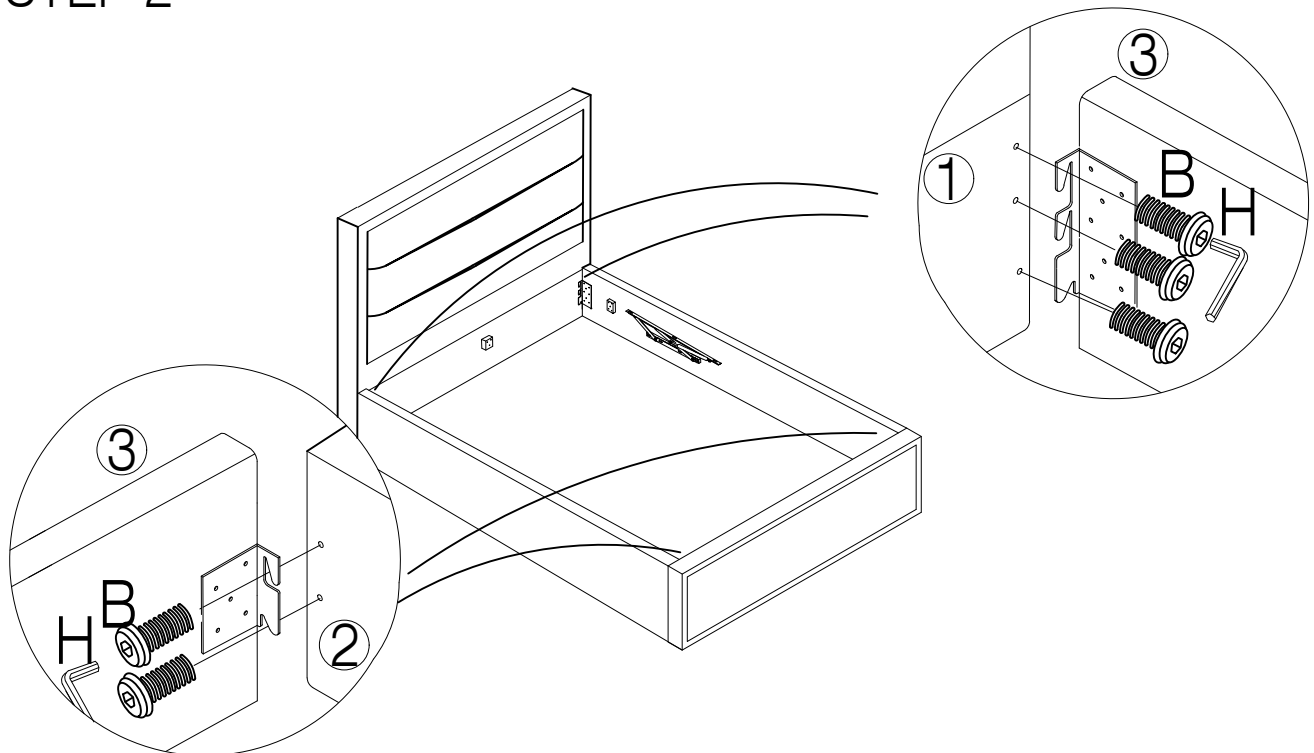
(16) Strap x 1pc



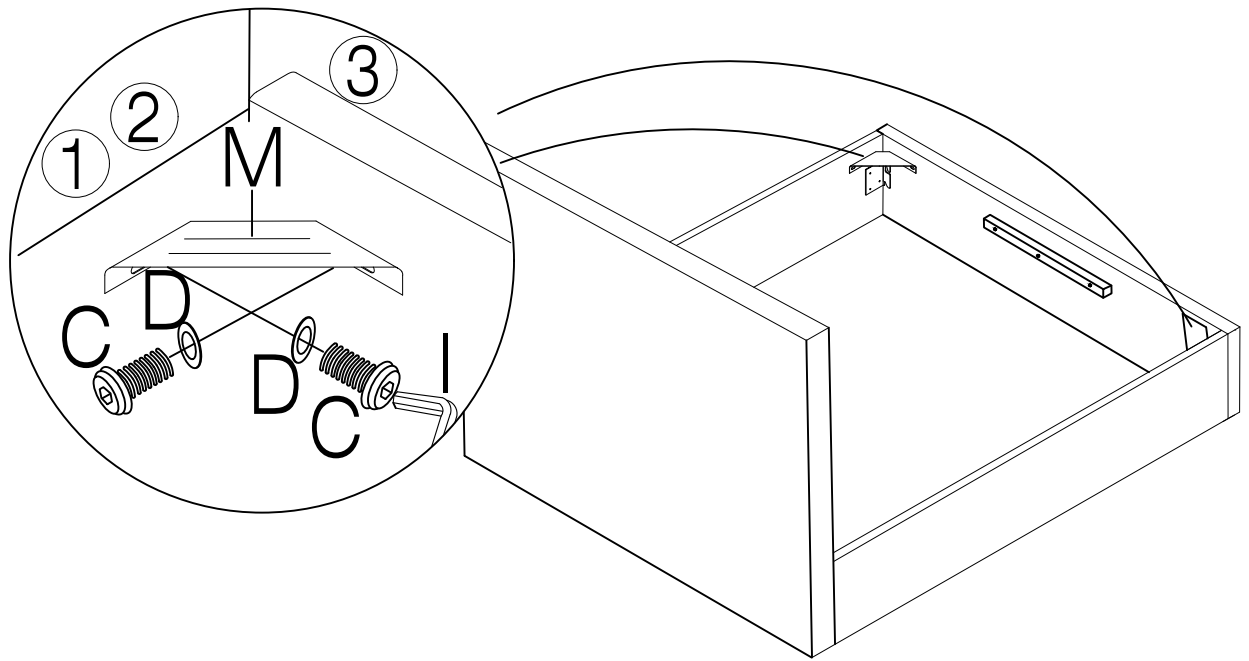
STEP 1



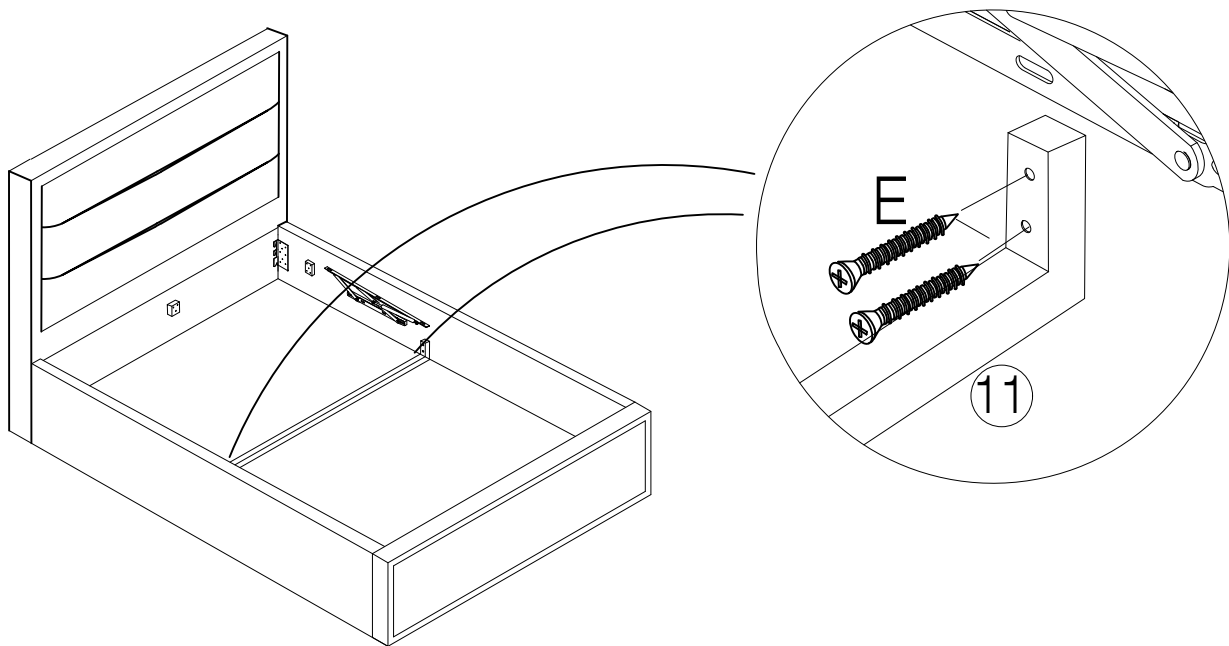
STEP 2



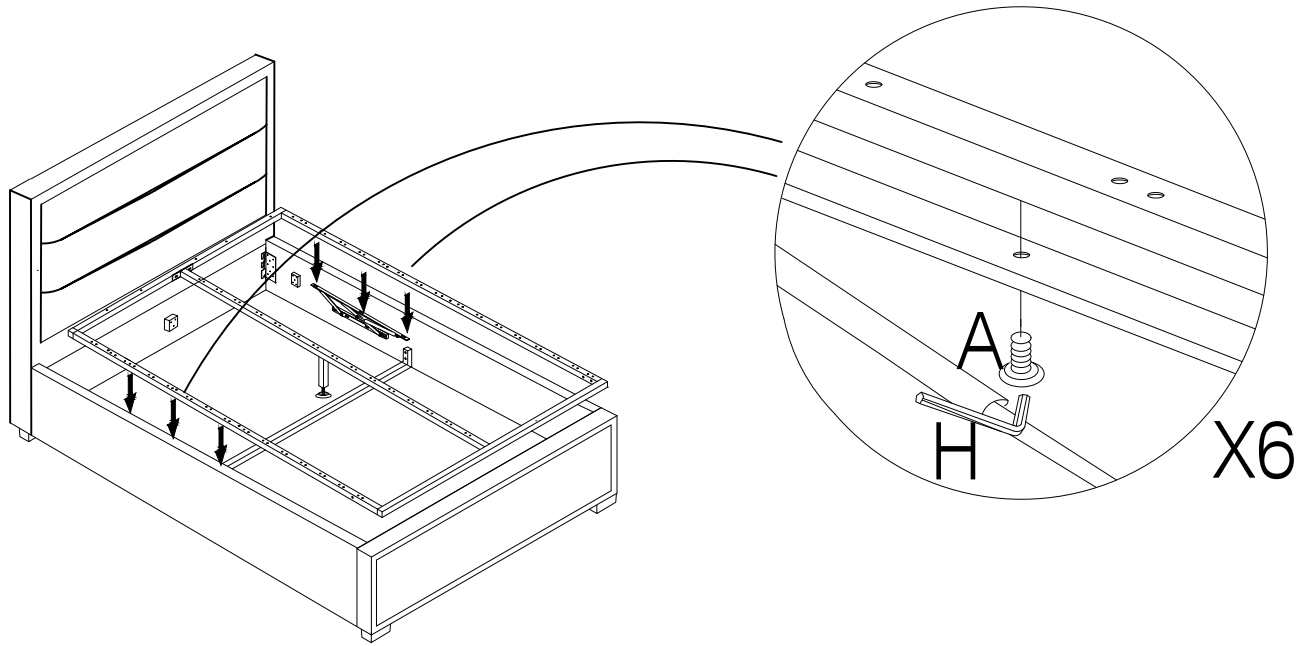
STEP 3



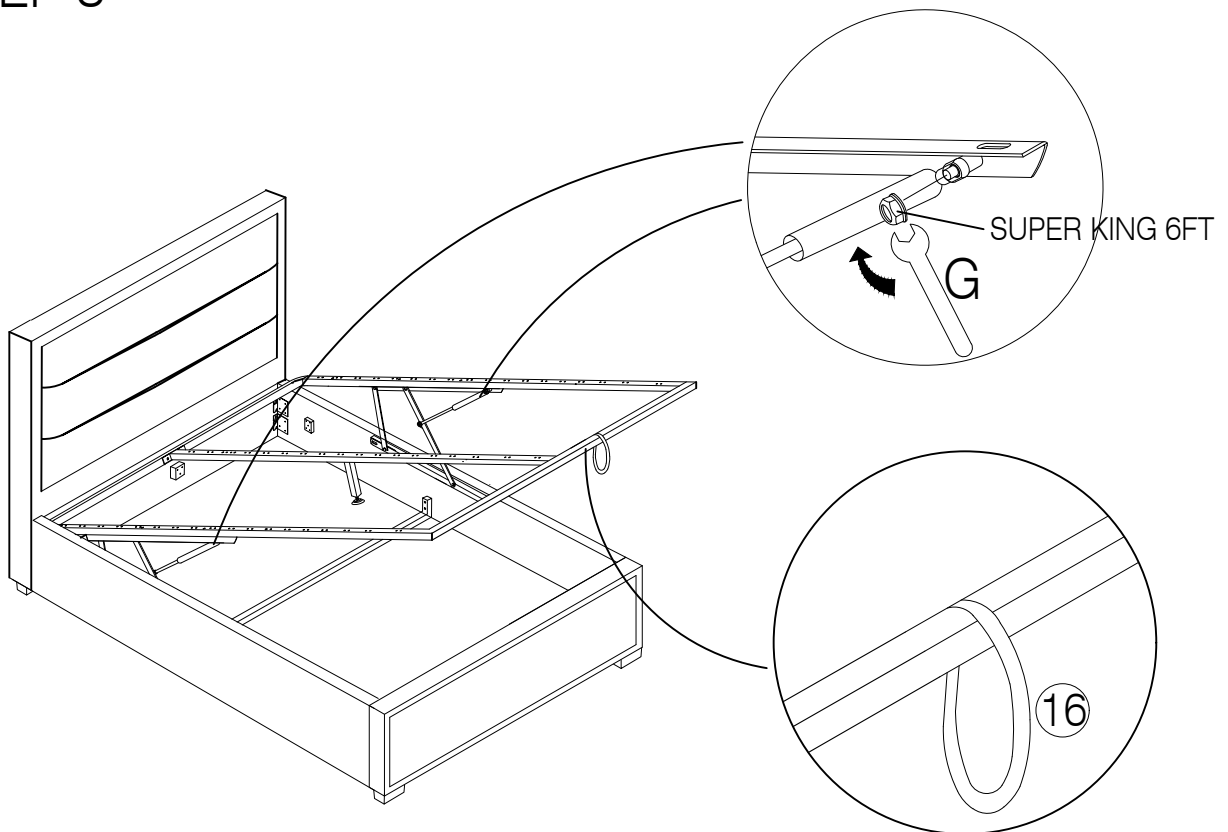
STEP 4



STEP 7



STEP 8



STEP 9

