

# ASSEMBLY INSTRUCTIONS

**MODEL :** Durban

Thank you for purchasing the "Durban" bed Frame. Please be sure to lay all components on a soft and clean surface before assembly in order to avoid components from being damaged.

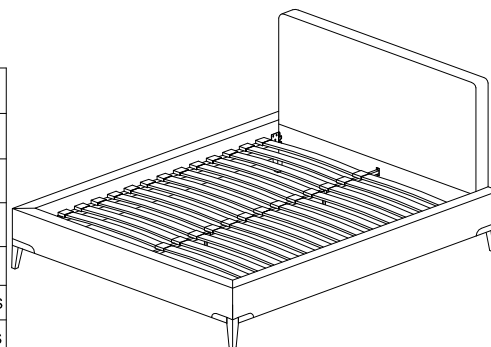
**CAUTIONS :**

1. Please use the check list to ensure all hardware is included
2. Do not fully tighten the screws before assembly is complete.
3. Once completed do not over-tighten the screws as this may cause damage to the thread.
4. Please ensure that all hardware is kept out of the reach of children.

HARDWARE LIST		
NO.	DESCRIPTION	QTY
<b>A</b>	M8 X 35MM JCBB SCREW *COME ATTACHED IN HEADBOARD -4PCS *COME ATTACHED IN FOOTBOARD -4PCS	8
<b>B</b>	M8 X 25MM JCBB SCREW *COME ATTACHED IN HEADBOARD -2PCS	2

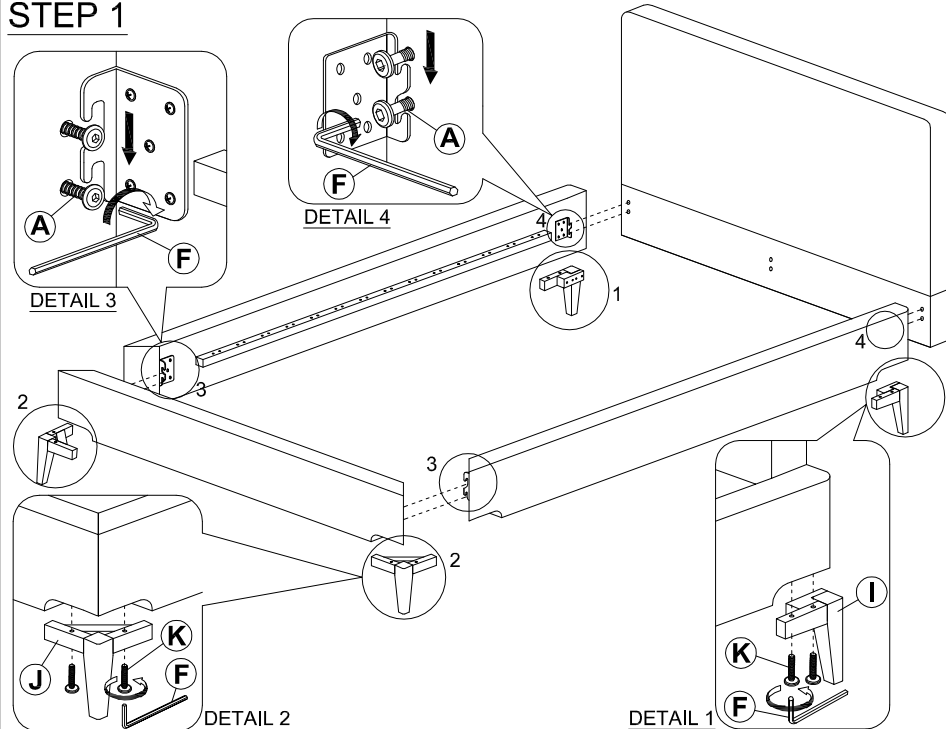
*COME ATTACHED IN FOOTBOARD -2PCS		
<b>C</b>	M6 X 40MM JCBB SCREW	4 PCS
<b>D</b>	MIDDLE RAIL	1PC
<b>E</b>	M4 ALLEN KEY	1 PC
<b>F</b>	M5 ALLEN KEY	1 PC
<b>G</b>	SUPPORT MIDDLE RAIL	2 PCS
<b>H</b>	M6 NUT	4 PCS

<b>I</b>	LEG L	2 PCS
<b>J</b>	LEG M	2 PCS
<b>K</b>	M8 X 50MM JCBB SCREW	8 PCS
<b>L</b>	M8 X 45MM JCBB SCREW	2 PCS
<b>M</b>	FLAT WASHER	2 PCS
<b>N</b>	END CAP	26 PCS
<b>O</b>	MIDDLE CAP	13 PCS
<b>P</b>	SLAT	26 PCS

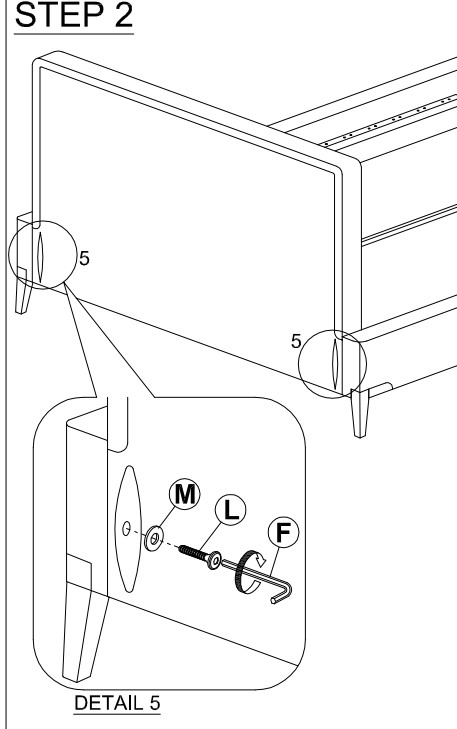


**COMPLETED ASSEMBLY**

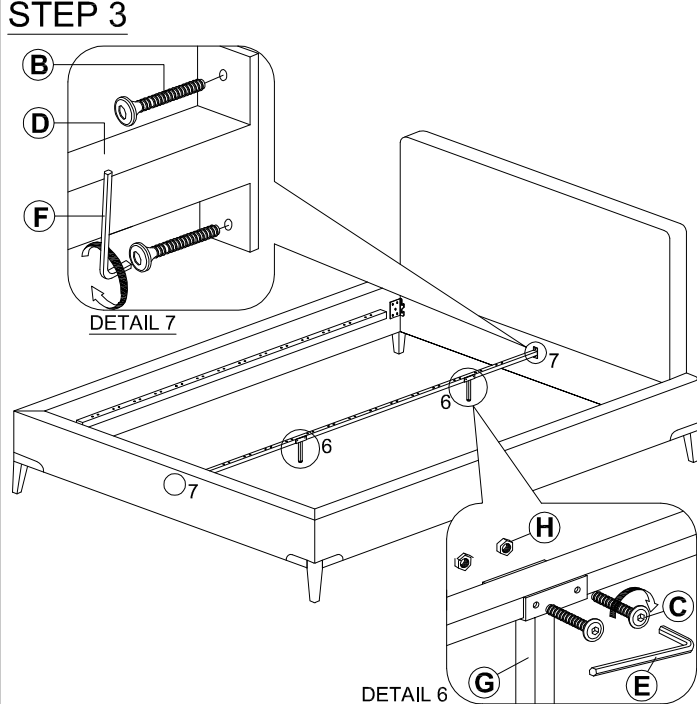
**STEP 1**



**STEP 2**



**STEP 3**



**STEP 4**

