
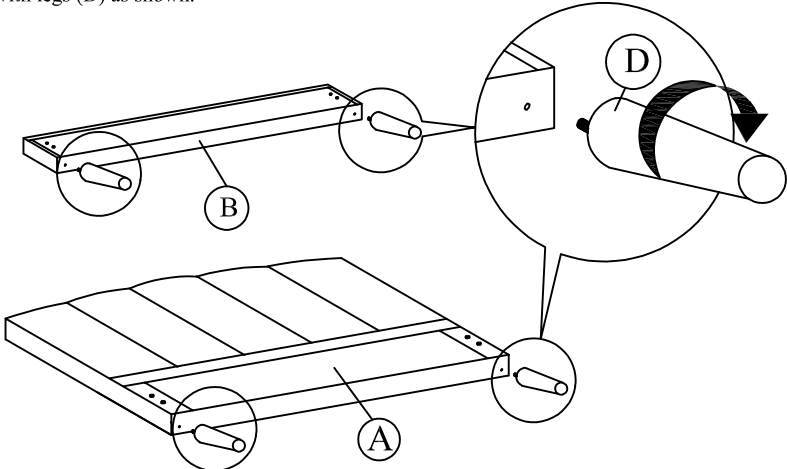










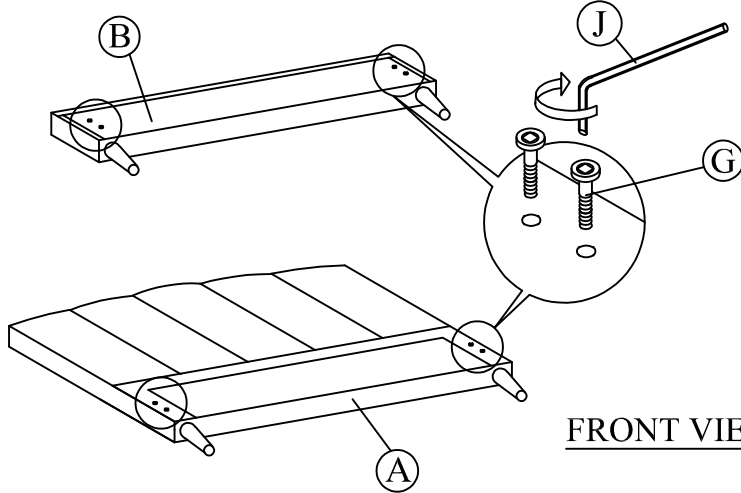

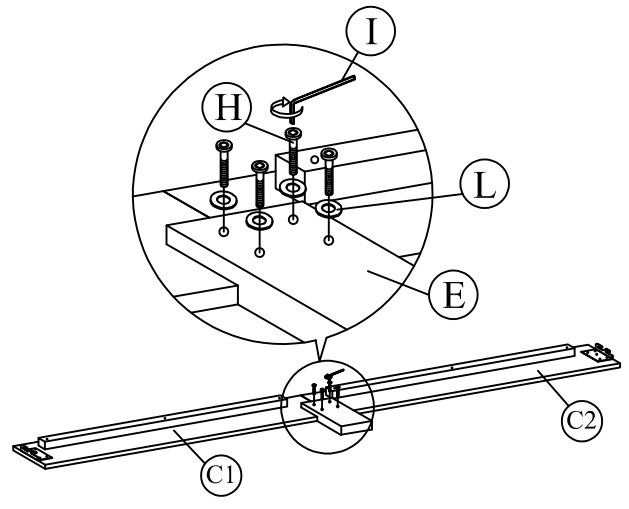
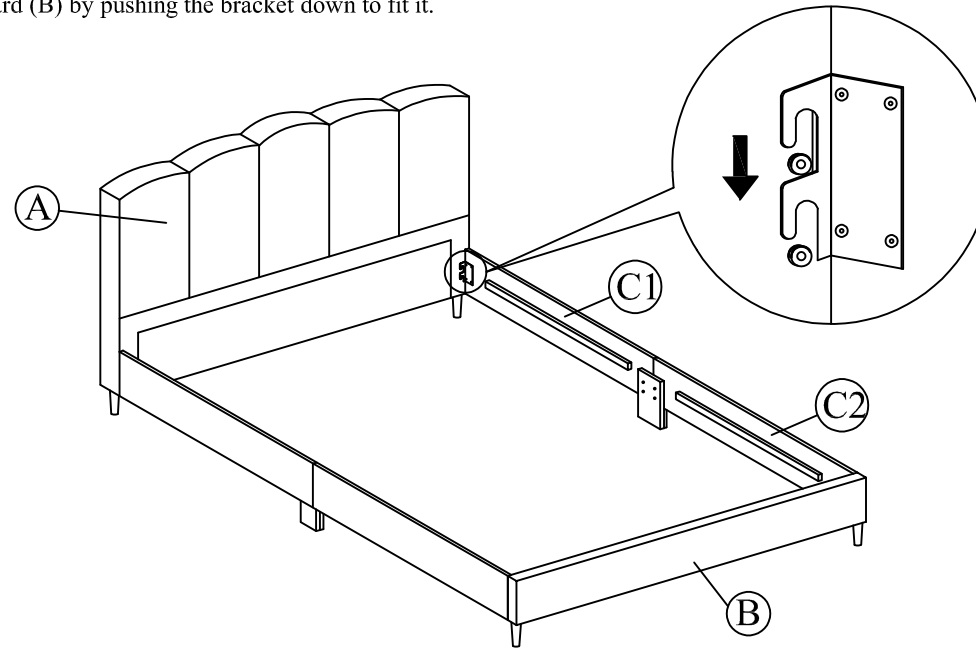


Model : CF 9452-G (3')				Assembly Instruction			
A		Headboard	1pc	<p>Step 1 : Fix the headboard (A) and footboard (B) with legs (D) as shown.</p>  <p style="text-align: right;"><u>BACK VIEW</u></p>			
B		Footboard	1pc				
C		Side Rail	4pcs				
D		Footboard Legs 60 x 150(H)	4pcs				
E		Side Rail Legs 240 x 75 x 30mm	2pcs				
F		12 pcs slat 927mm	2pcs				
G		JCBB M8 x 20	8pcs				
H		JCBC M6 x 30	8pcs				
I		Allen Key 65mm	1pc				
J		Allen Key 70mm	1pc				
K		CSK Screw 32mm	24pcs	<p>Step 2 : Attach the JCBB Bolt (G) to the headboard (A) and footboard (B).</p>  <p style="text-align: center;"><u>FRONT VIEW</u></p>			
L		Flat Washers	8pcs				
						<p>Step 3 : Attach the side rail leg (E) to the side rail (C).</p> 	

Step 4 : Attach side rail (C) to headboard (A) and footboard (B) by pushing the bracket down to fit it.



Step 5 : Tighten the 4 Corner with Allen Key (J). Install the bed slats to side rail. Tighten the slats with CSK screw. The distance of the slats should be sufficient to obtain desirable bed stability.

