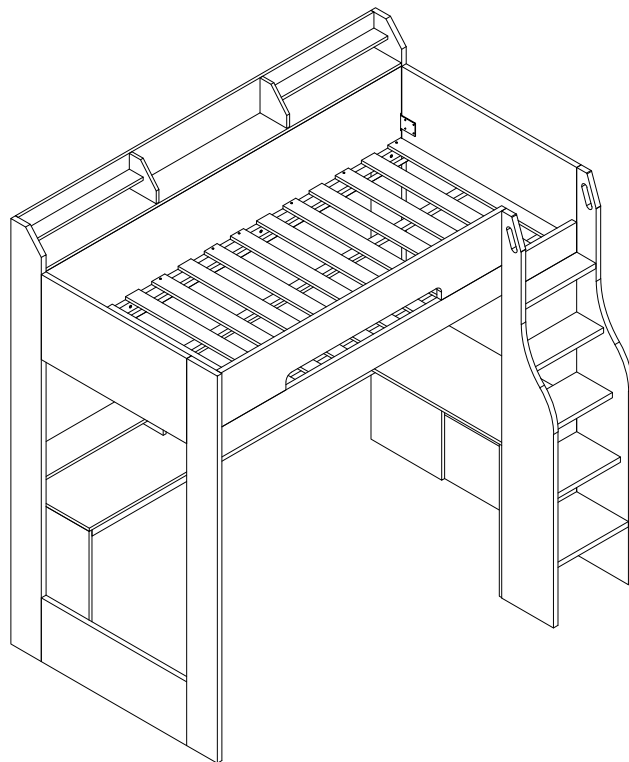


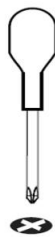
IMPORTANT! KEEP FOR FUTURE REFERENCE

Flair
furnishings
www.flairbeds.co.uk

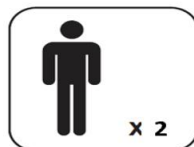
FLAIR SKYHIGH GAMING HIGH SLEEPER - SMALL DOUBLE
Assembly Instructions



Tools required (Not Provided)



**2 Person assembly
recommend**



120min
(Approx) Set Up

ASSEMBLY INSTRUCTIONS

BS EN747-1:2012+A1:2015 SAFETY WARNING AND GENERAL NOTES :

IMPORTANT – READ CAREFULLY – RETAIN THESE INSTRUCTION FO FUTURE REFERENCE.

PLEASE READ this sheet prior to assembly to familiarize yourself with the various stage of construction. Do Not destroy any of the packing until you are certain that you have all the necessary parts for assembly.

CAUTION: There are small components used in the construction of this unit. These loose items should be kept away from young children whilst assembling your unit to avoid the danger of choking hazards.

INFORMATION:

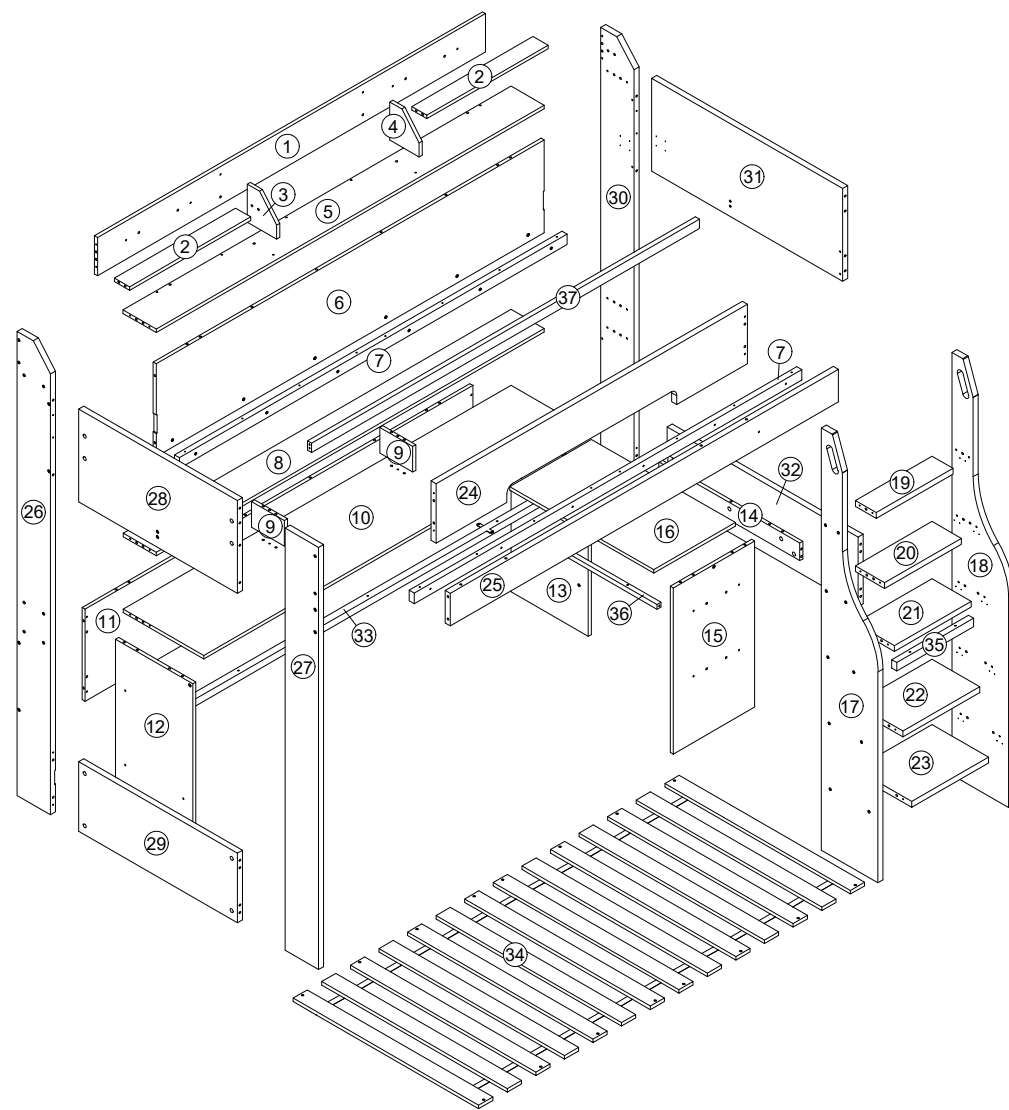
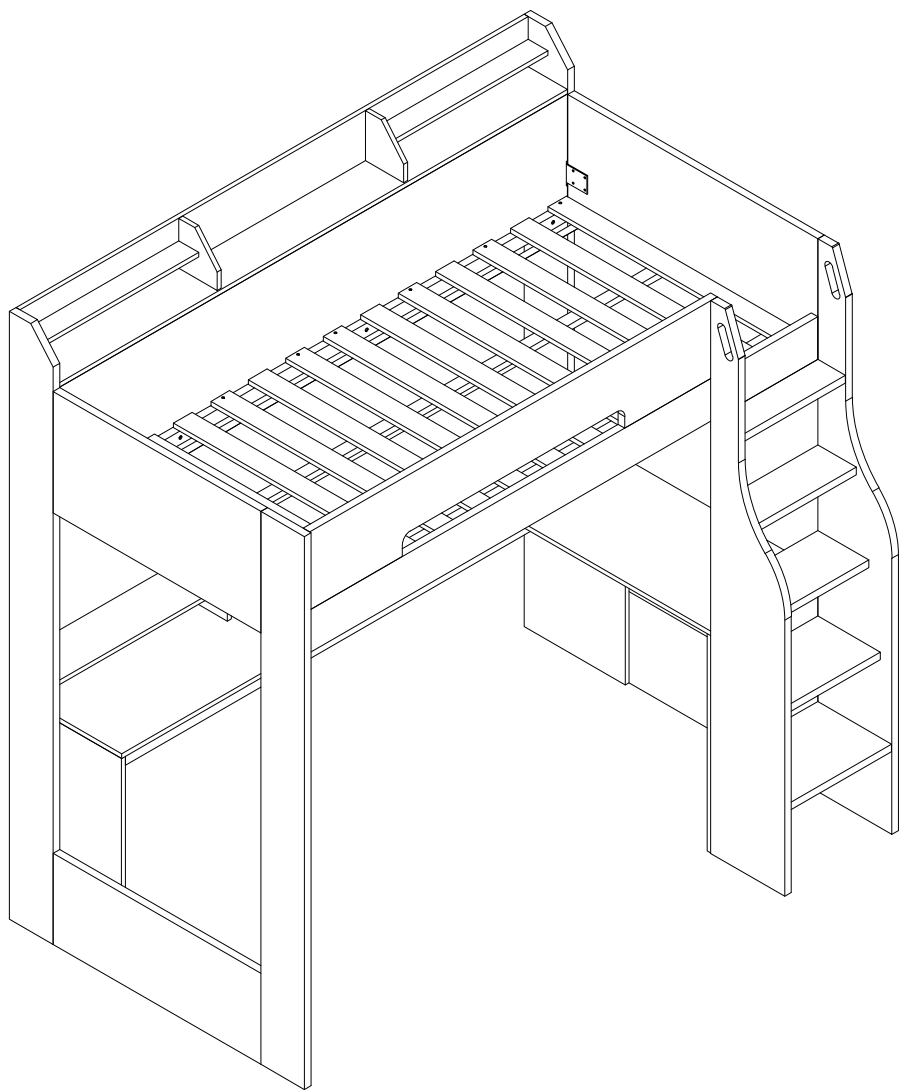
- Due to the size of this product, we recommend that is assembled in the room intended for use.
- When you are ready to start, make sure that you have the right tools, plenty of space and clean, dry area for assembly.
- Unwrap all packaging materials and place each component on top of the carton box or on a clean floor to prevent from scratching.
- Check the pack and make sure you have all the parts listed.
- Tools are not included unless specified in the parts list.
- Ensure that this product is fully assembled as illustrated before use.
- Please keep the assembly instruction for future reference.
- If for any reason you need to return this item, you must return in original packaging. Please be note that assembled items cannot be returned.

WARNING:

- Always follow the manufacturer's instruction.
- This product should only be used on firm, level ground.
- Keep small parts out of reach of children.
- Do Not use power tools to construct this product.
- Do Not over tighten the screw or bolts.
- Do Not tighten screw until the product is fully assembled.
- Do Not use the bunk bed / high bed if any structural part is missing, damaged or worn.
- Do Not exposed this product to dripping or splashing, rain or areas with heavy moisture.
- Do Not place this product in direct sunlight, open flames such as candles or heat, such as radiators. Keep away from temperature over 35°C.
- High bed and the upper bed of the bunk beds are not suitable for children under six years due to the risk of injury from falls.
- Bunk bed and high bed can be present a serious risk of injury from strangulation if not used correctly. Never attach or hang items to any part of the bunk bed that are not designed to be used with the bed, for example, but not limited to ropes, strings, cords, hooks, belts and bags.
- Children can become trapped between the bed and the wall, a roof pitch, the ceiling, adjoining pieces of furniture (e.g. cupboards) and the like. To avoid risk of serious injury the distance between the top safety barrier and the adjoining structure shall not exceed 75mm or shall be more than 230mm.
- Ensure thickness of mattress below the mark that had been made at the entrance of the upper bunk.
- Ensure the ventilation of the room is necessary in order to keep the humidity low and to prevent mould in and around the bed.
- Ensure the support legs/base always remain in contact with the ground, and always use ladder for entering and leaving the high bed and upper bunk.
- Ensure all screws or bolts are tighten and inspect regularly.
- Recommended size of mattress 190(L) x 120(W) cm
- Thickness of mattress 12-17cm

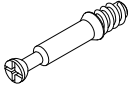

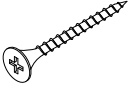

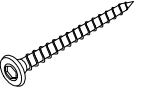
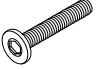
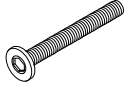

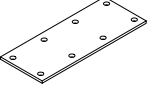

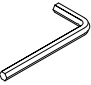
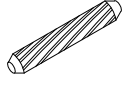
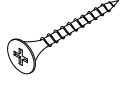
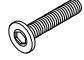
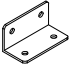

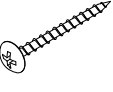
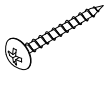
CARE INFORMATION

- Never use scourer, abrasives or chemical cleaners.
- To clean wipe with a damp sponge and warm soapy water. Do Not use solvent-based cleaners or detergents as they can bleach or damage the product.

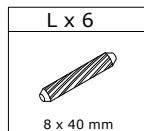
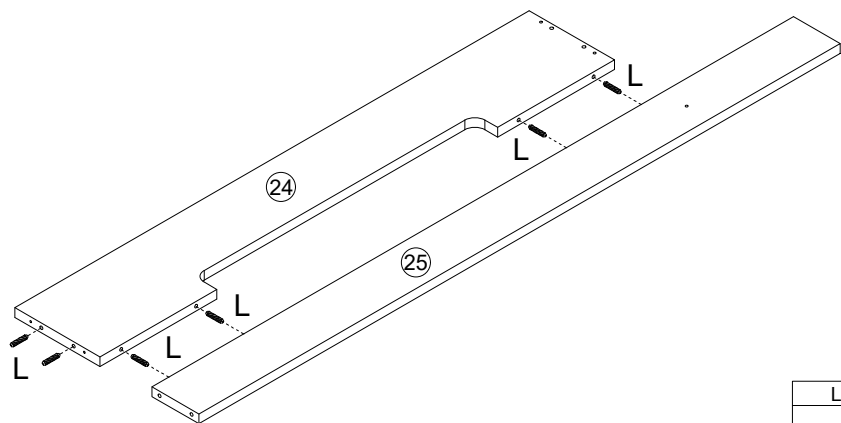


PARTS LIST

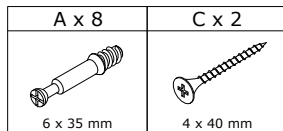
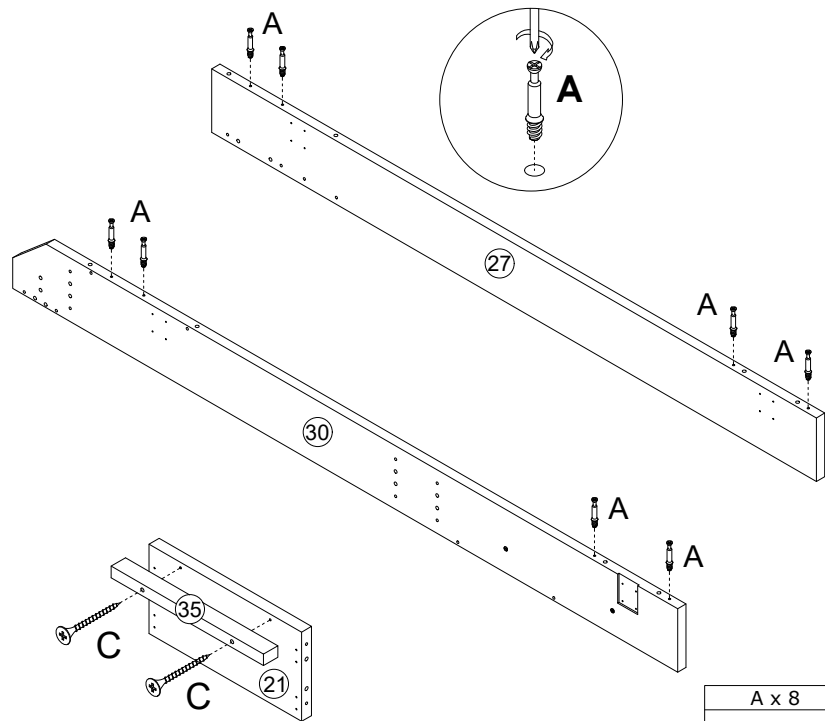
FLAIR SKYHIGH GAMING HIGH SLEEPER - SMALL DOUBLE					
Carton 1 of 6			Carton 2 of 6		
No.	Part Name	Pcs	No.	Part Name	Pcs
①	BACK PANEL	1	⑦	SIDE RAIL	2
⑤	UPPER STORAGE SHELF PANEL	1	⑪	BACK PANEL	1
⑥	BACK PANEL	1	⑲	FRONT PANEL	1
⑧	DESKTOP PANEL UPPER	1	⑳	SIDE PANEL LEFT BACK	1
⑩	DESKTOP PANEL MAIN	1	⑳	SIDE PANEL RIGHT BACK	1
Carton 3 of 6					
⑰	LADDER SIDE LEFT PANEL	1			
⑱	LADDER SIDE RIGHT PANEL	1	Carton 4 of 6		
⑳	GUARD RAIL	1	⑫	DESKTOP SIDE PARTITION PANEL LEFT	1
㉑	SIDE PANEL LEFT FRONT	1	⑬	DESKTOP SIDE PARTITION PANEL RIGHT	1
㉒	METAL DESK SUPPORT RAIL	1	⑮	DESKTOP SIDE PANEL TOP	1
㉓	SLAT SUPPORT BAR	1	⑯	DESKTOP SIDE PANEL FRONT	1
Carton 5 of 6			⑳	LADDER STEP	1
②	SMALL SHELF	2	㉑	LADDER STEP	1
③	UPPER DIVIDE PANEL	1	㉒	LADDER STEP	1
④	UPPER DIVIDE PANEL	1	㉓	LADDER STEP	1
⑨	LOWER DIVIDE PANEL	2	㉔	LADDER STEP	1
⑭	SUPPORT RAIL	1	㉕	LADDER STEP	1
⑰	LADDER STEP	1	㉖	HEADBOARD UPPER	1
㉑	HEADBOARD BOTTOM	1	㉗	SUPPORT RAIL UNDERNEATH LADDER	1
㉒	HEADBOARD UPPER	1			
㉓	HEADBOARD BOTTOM	1	FITTING LIST		
㉔	METAL SUPPORT RAIL	1			
Carton 6 of 6					
㉕	SLATS	1			

<p>A x 43</p>  <p>6 x 35 mm</p>	<p>B x 43</p>  <p>Ø15 x 9 mm</p>	<p>C x 26</p>  <p>4 x 40 mm</p>	<p>D x 84</p>  <p>8 x 30 mm</p>	<p>E x 41</p>  <p>5 x 50 mm</p>
<p>F x 15</p>  <p>6 x 30 mm</p>	<p>G x 17</p>  <p>6 x 50 mm</p>	<p>H x 12</p>  <p>Ø10 x 10 mm</p>	<p>I x 6</p> 	<p>J x 124</p>  <p>3.5 x 14 mm</p>
<p>K x 1</p> 	<p>L x 24</p>  <p>8 x 40 mm</p>	<p>M x 16</p>  <p>4 x 25 mm</p>	<p>N x 6</p>  <p>6 x 20 mm</p>	<p>O x 18</p> 
<p>P x 79</p>  <p>Ø20 mm</p>	<p>Q x 3</p>  <p>4 x 40 mm</p>	<p>R x 2</p>  <p>4 x 30 mm</p>		

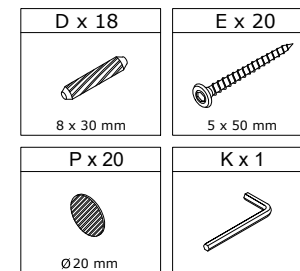
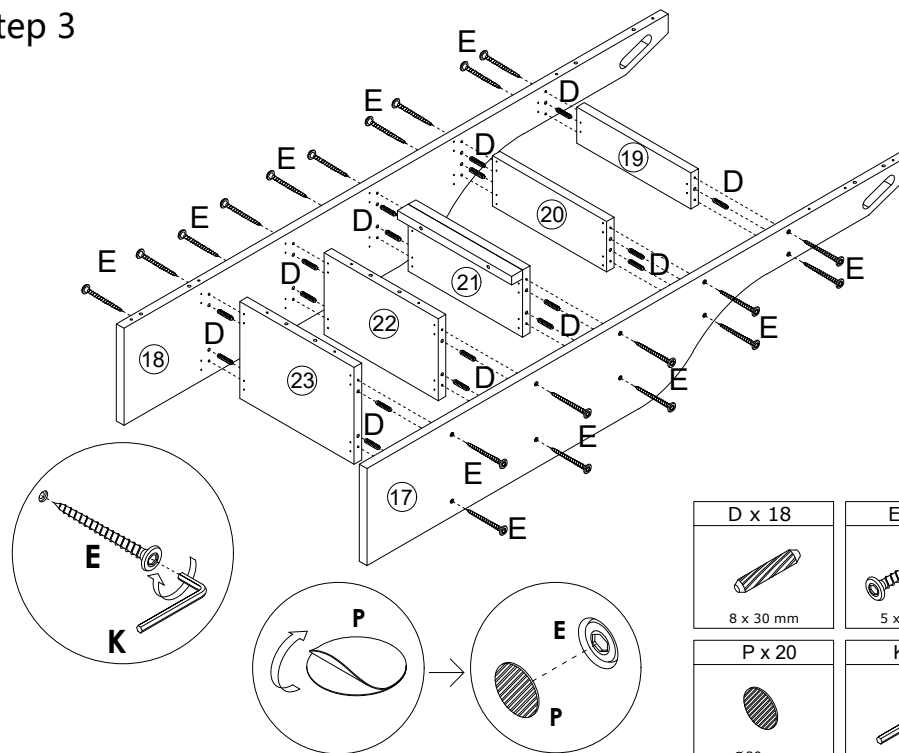
step 1



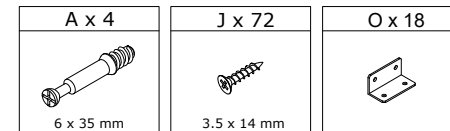
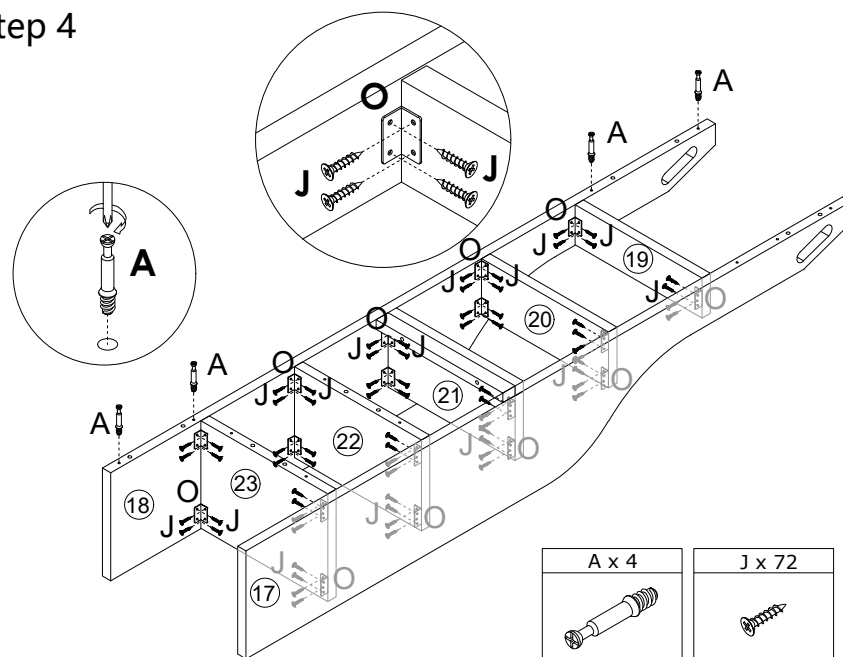
step 2



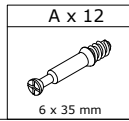
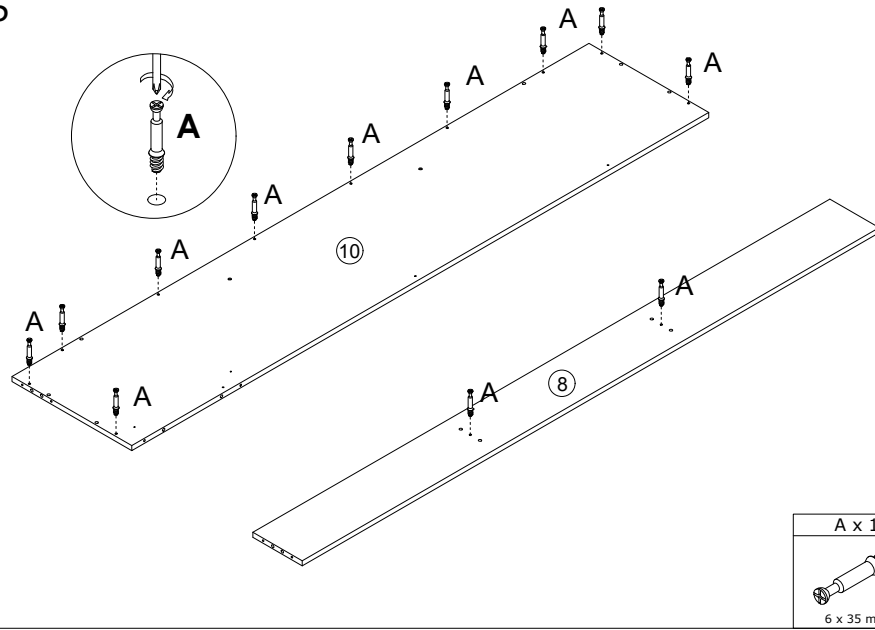
step 3



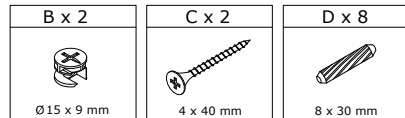
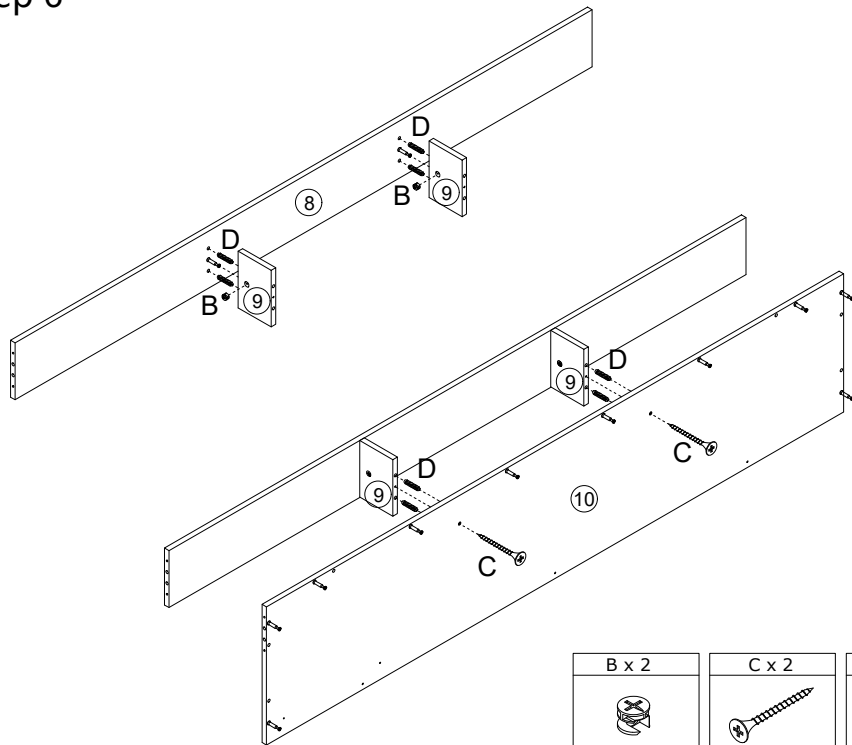
step 4



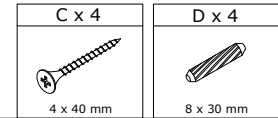
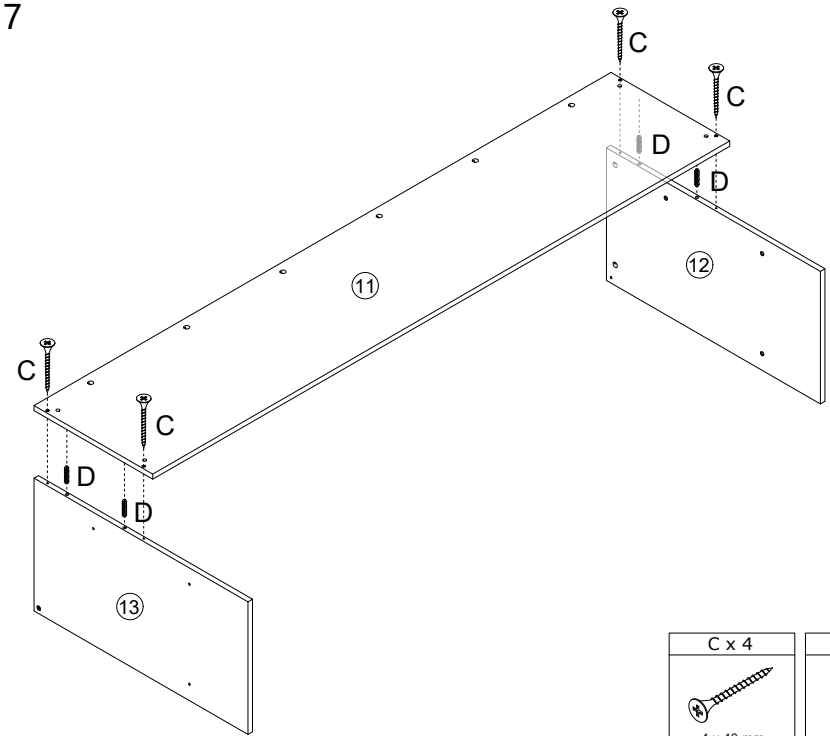
step 5



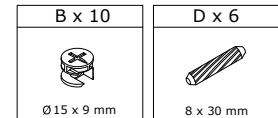
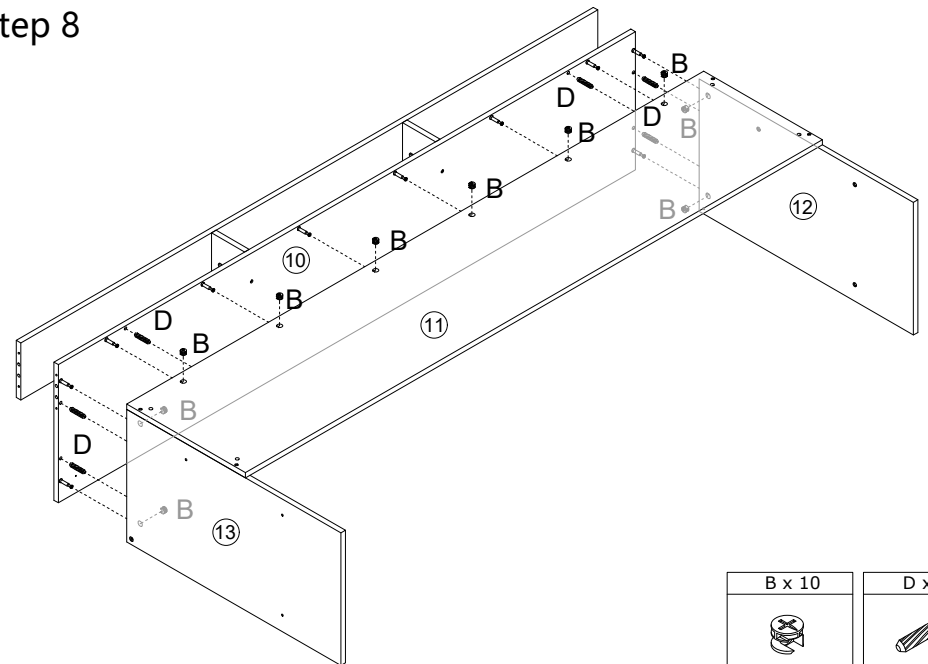
step 6



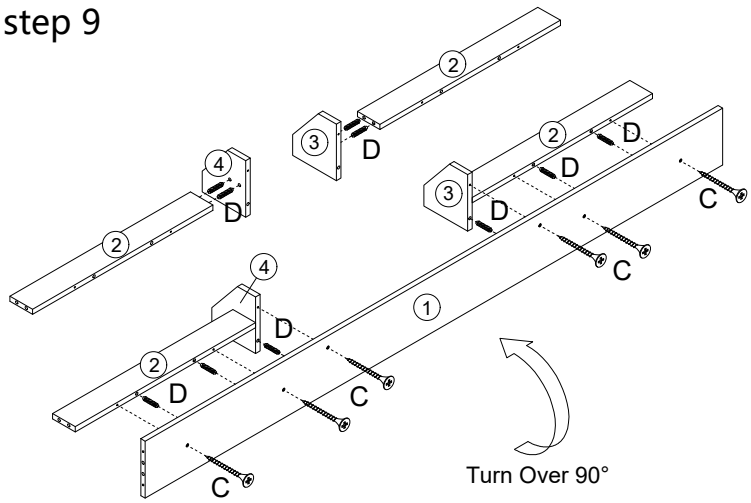
step 7





step 8



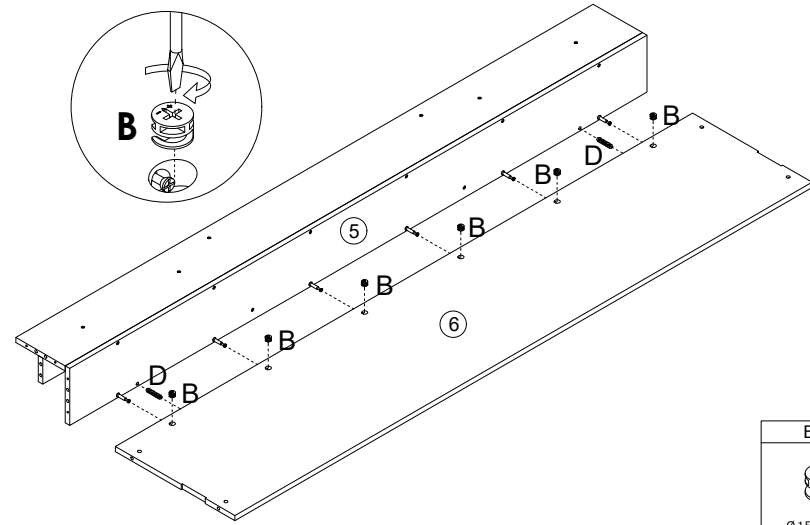
step 9





Turn Over 90°

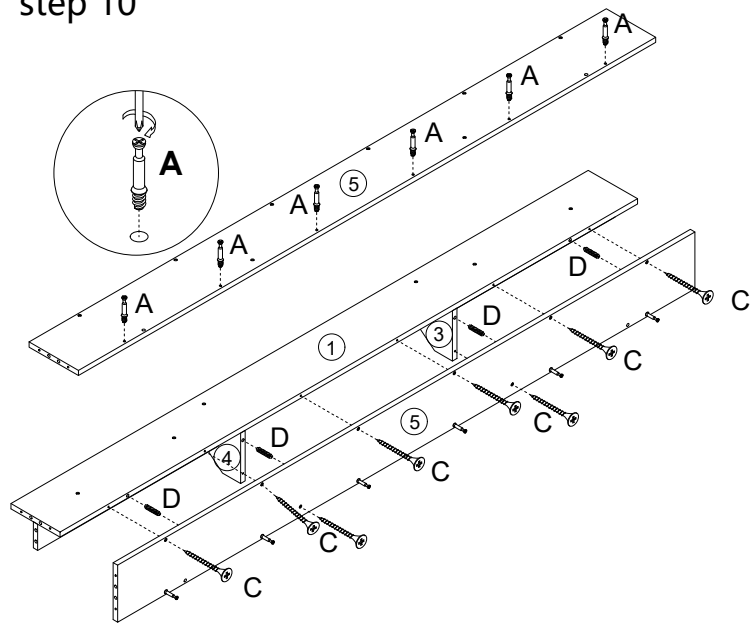
C x 6  4 x 40 mm	D x 10  8 x 30 mm
---	--

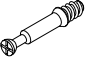


step 11



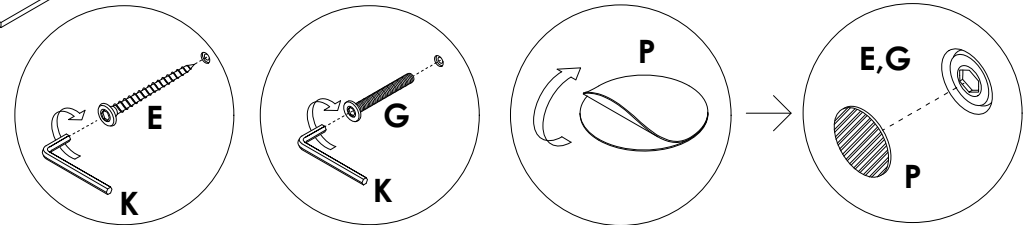
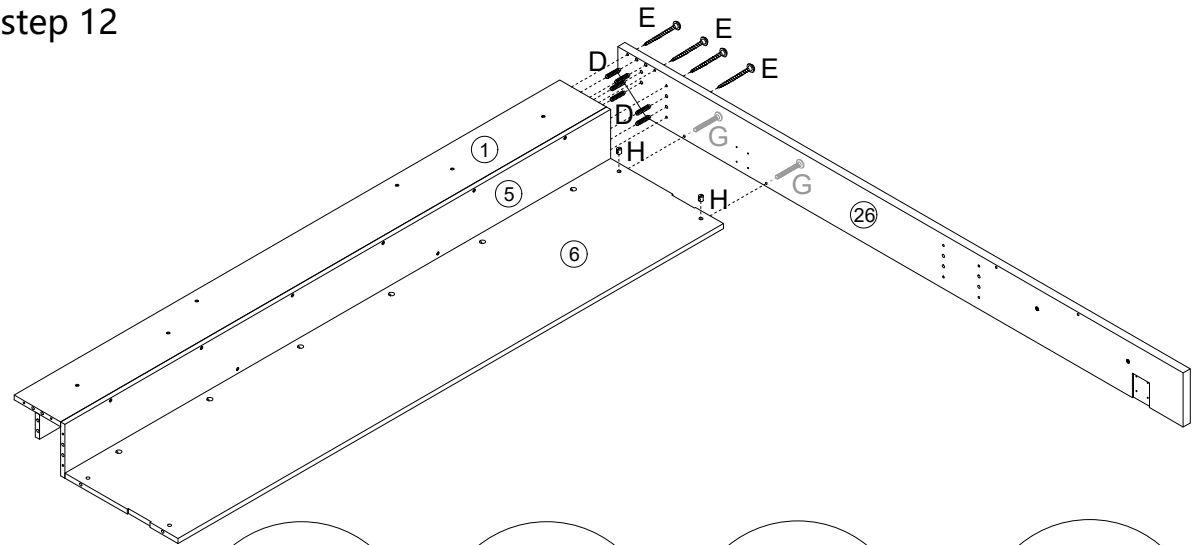
B x 6  Ø15 x 9 mm	D x 2  8 x 30 mm
--	---





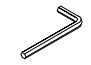

step 10



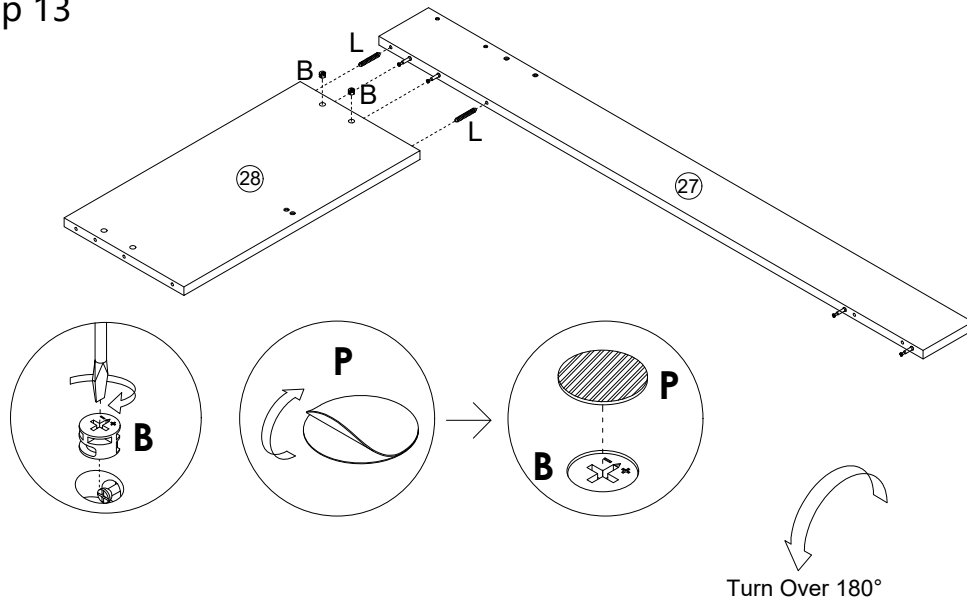
A x 6  6 x 35 mm	C x 8  4 x 40 mm	D x 4  8 x 30 mm
---	---	---




step 12



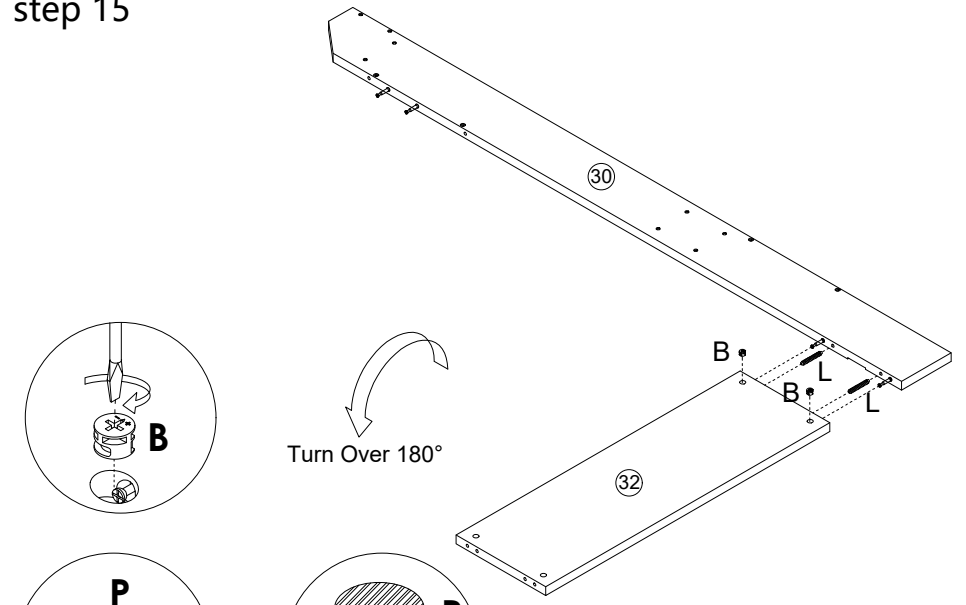
D x 6  8 x 30 mm	E x 4  5 x 50 mm	G x 2  6 x 50 mm	H x 2  Ø10 x 10 mm	K x 1 	P x 6  Ø20 mm
---	---	---	---	--	--




step 13



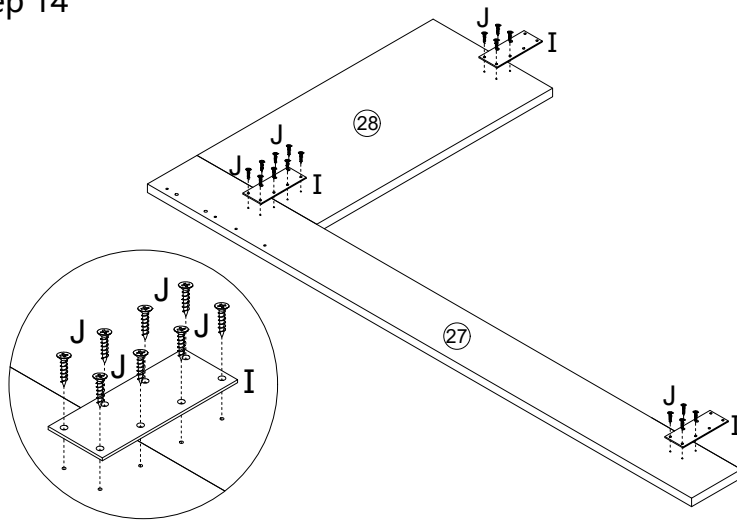
B x 2	L x 2	P x 2
		
Ø15 x 9 mm	8 x 40 mm	Ø20 mm



step 15



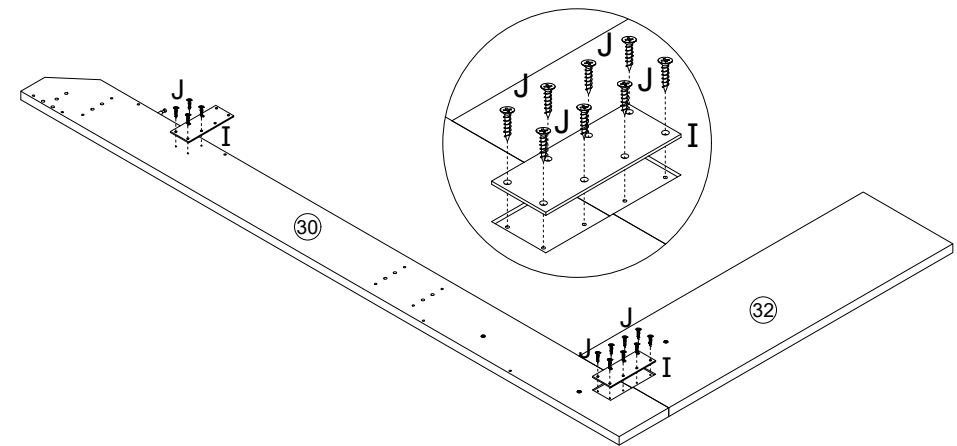
B x 2	L x 2	P x 2
		
Ø15 x 9 mm	8 x 40 mm	Ø20 mm



step 14



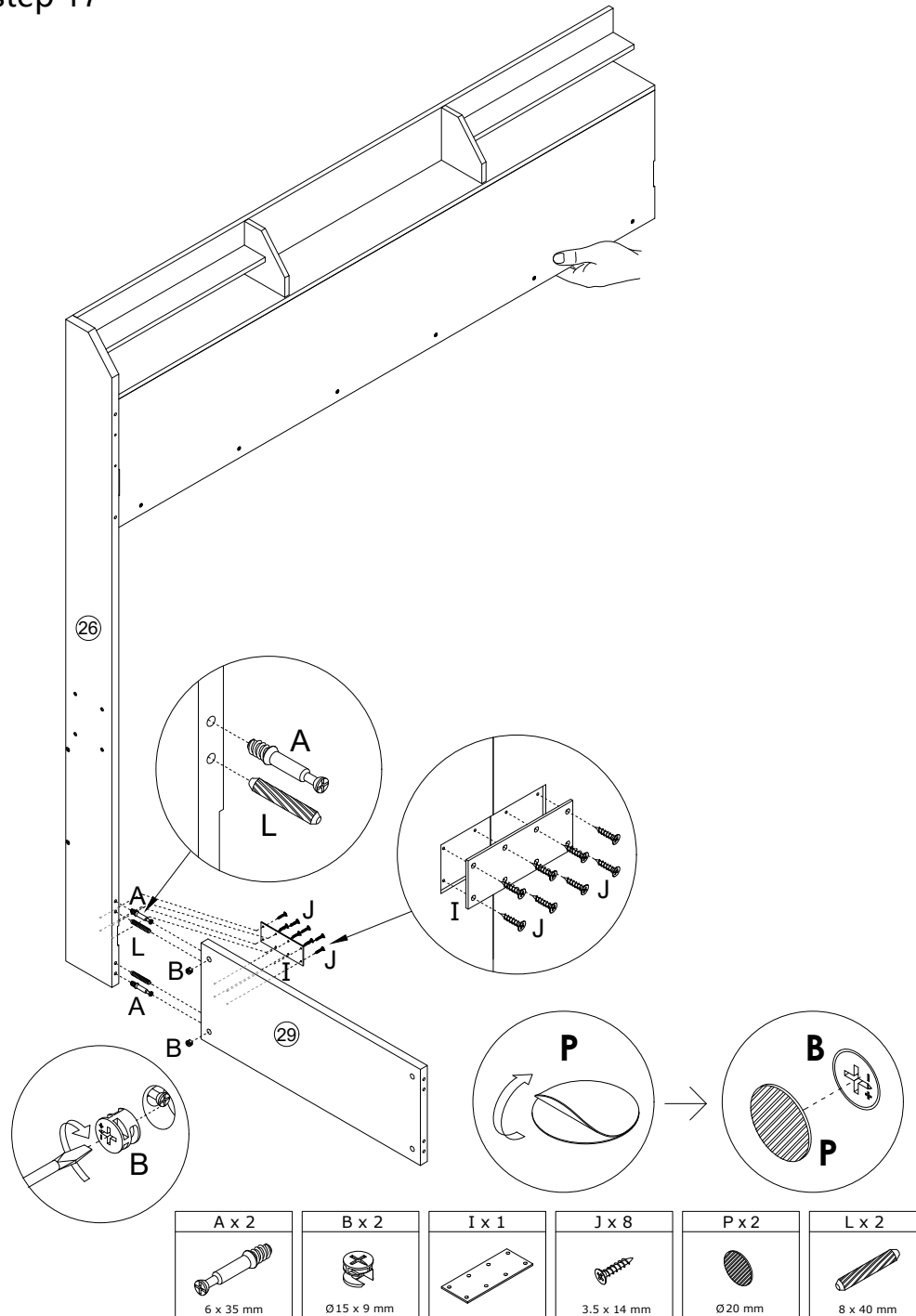
I x 3	J x 16
	
	3.5 x 14 mm

step 16

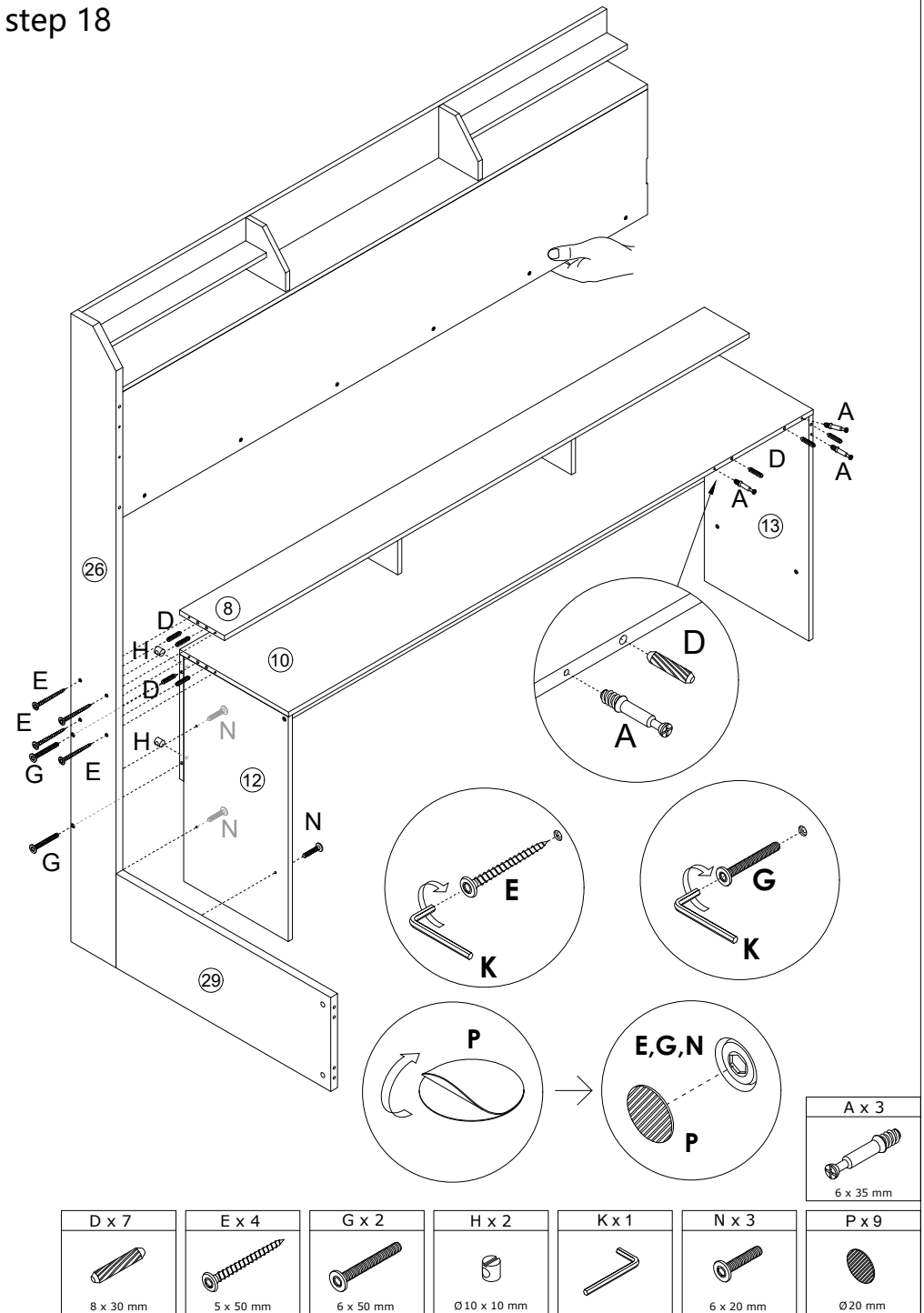


I x 2	J x 12
	
	3.5 x 14 mm

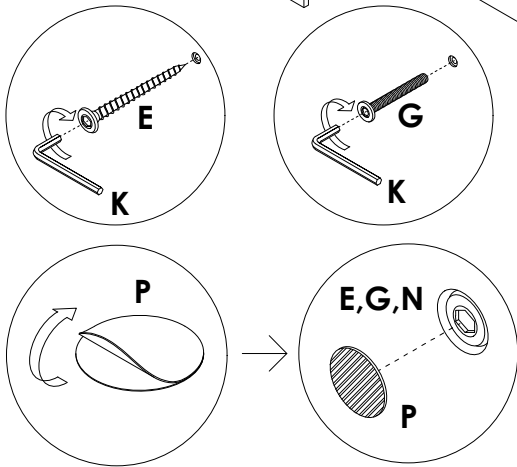
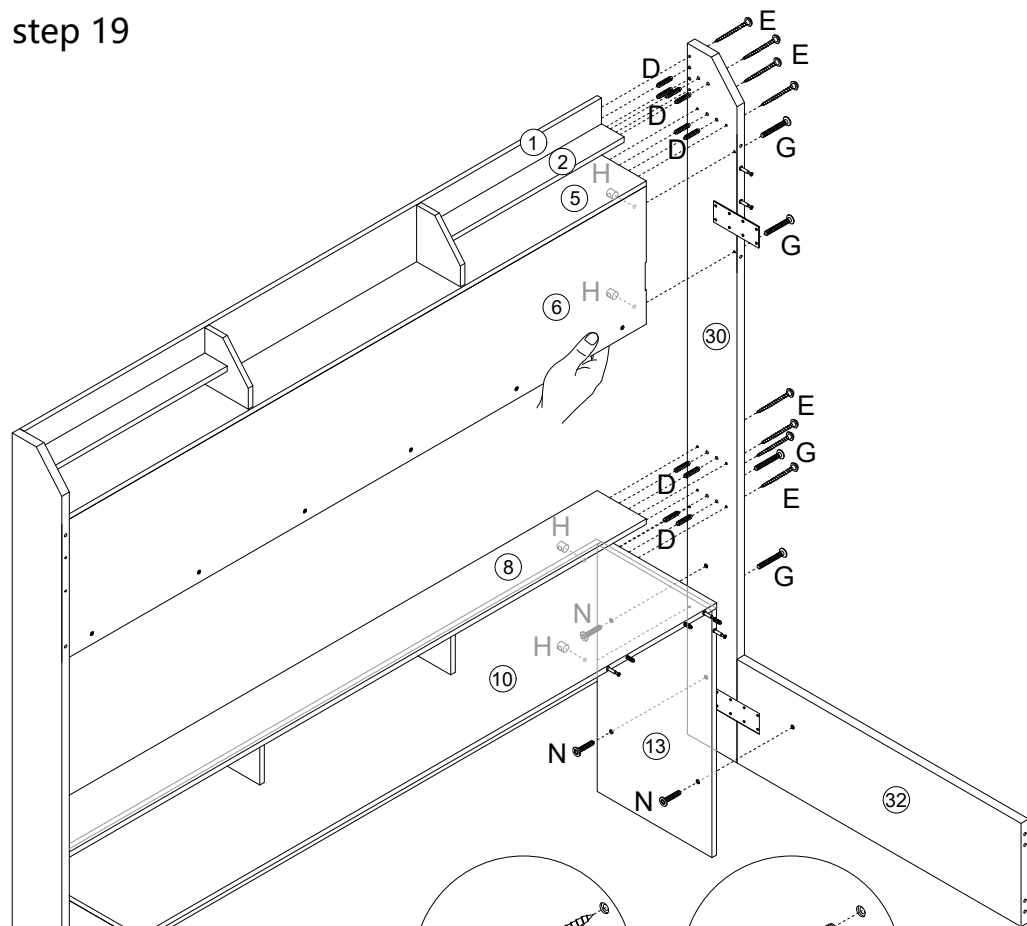
step 17



step 18

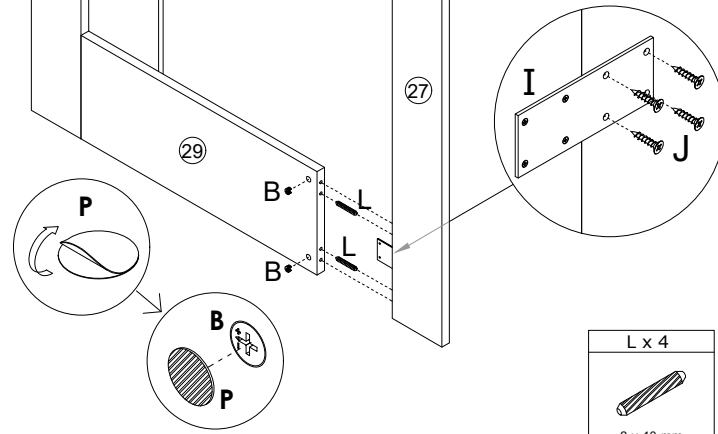
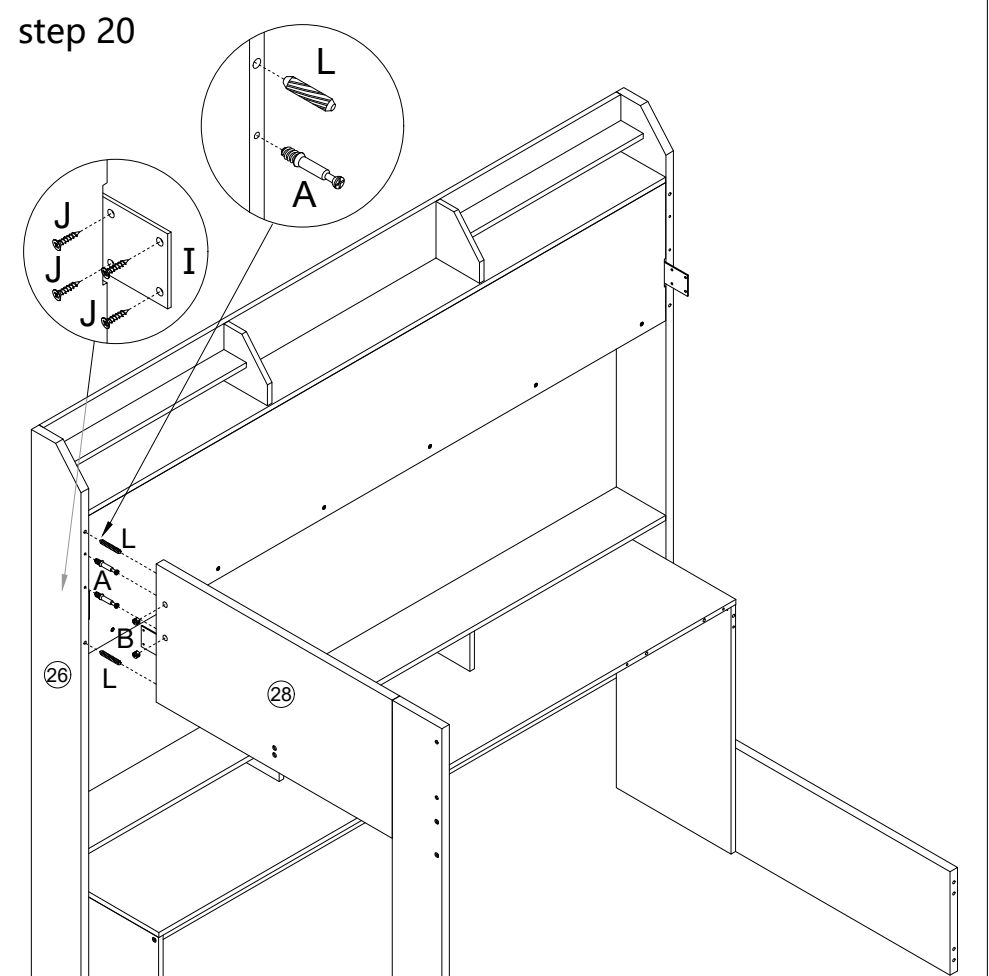


step 19



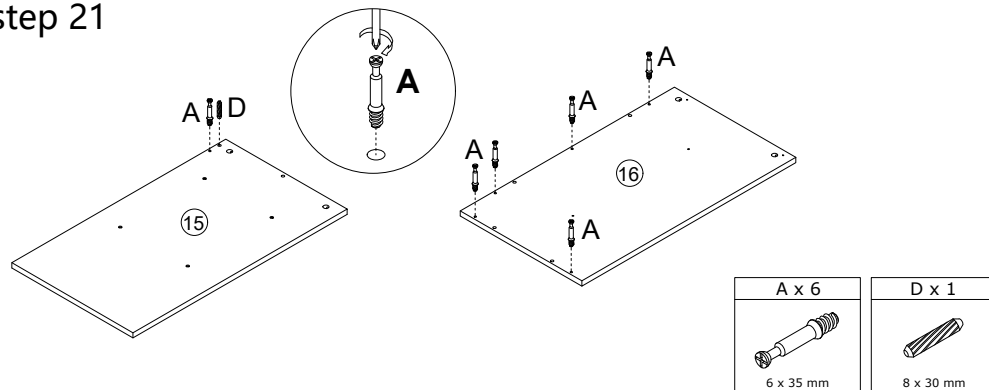
D x 10 8 x 30 mm	E x 8 5 x 50 mm	G x 4 6 x 50 mm	H x 4 Ø10 x 10 mm	K x 1	N x 3 6 x 20 mm	P x 15 Ø20 mm
---------------------	--------------------	--------------------	----------------------	-------	--------------------	------------------

step 20

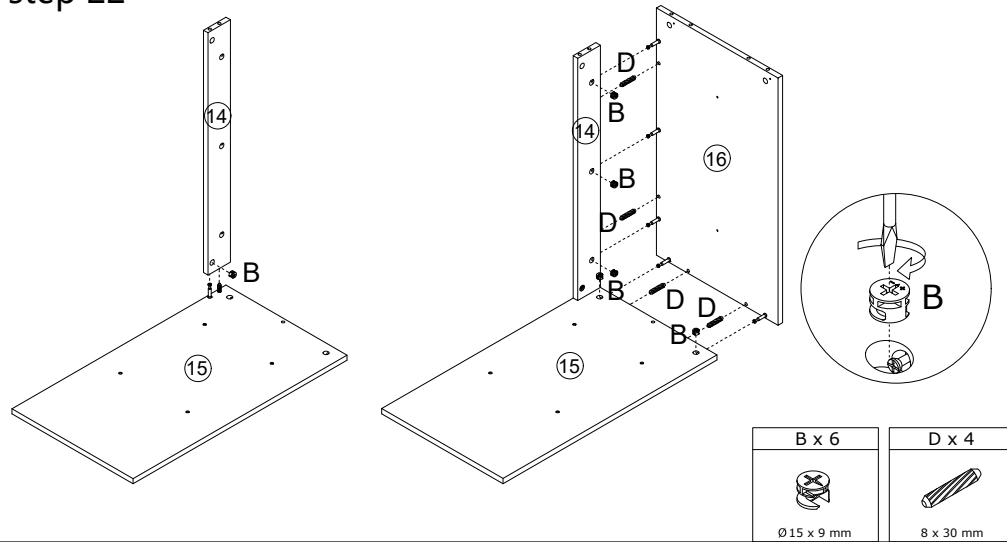


L x 4 8 x 40 mm	A x 2 6 x 35 mm	J x 8 3.5 x 14 mm	B x 4 Ø15 x 9 mm	P x 4 Ø20 mm
--------------------	--------------------	----------------------	---------------------	-----------------

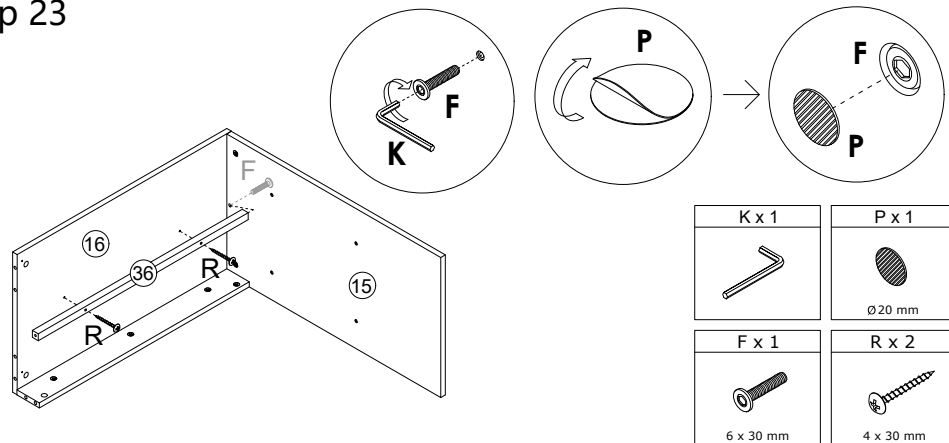
step 21



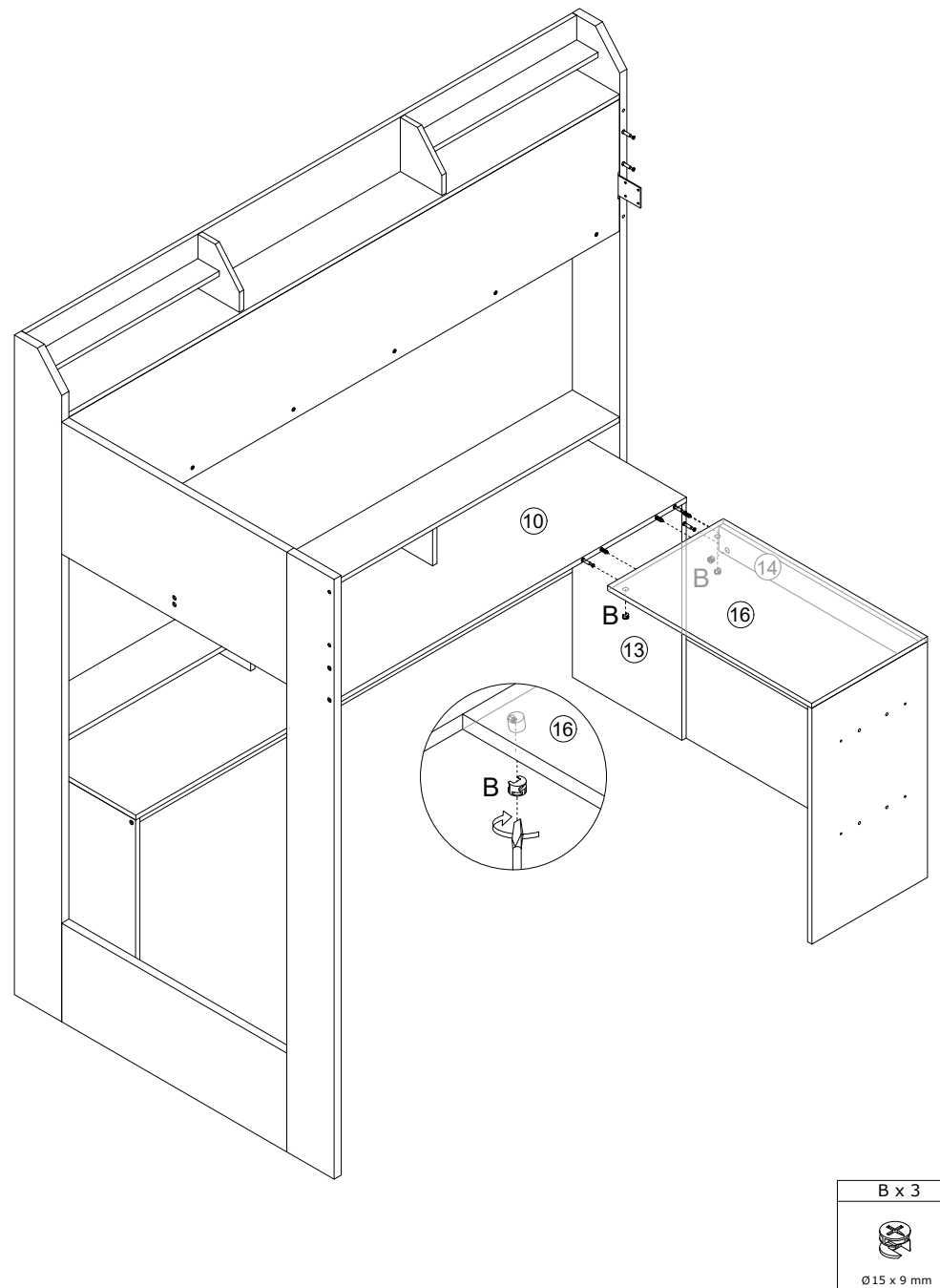
step 22



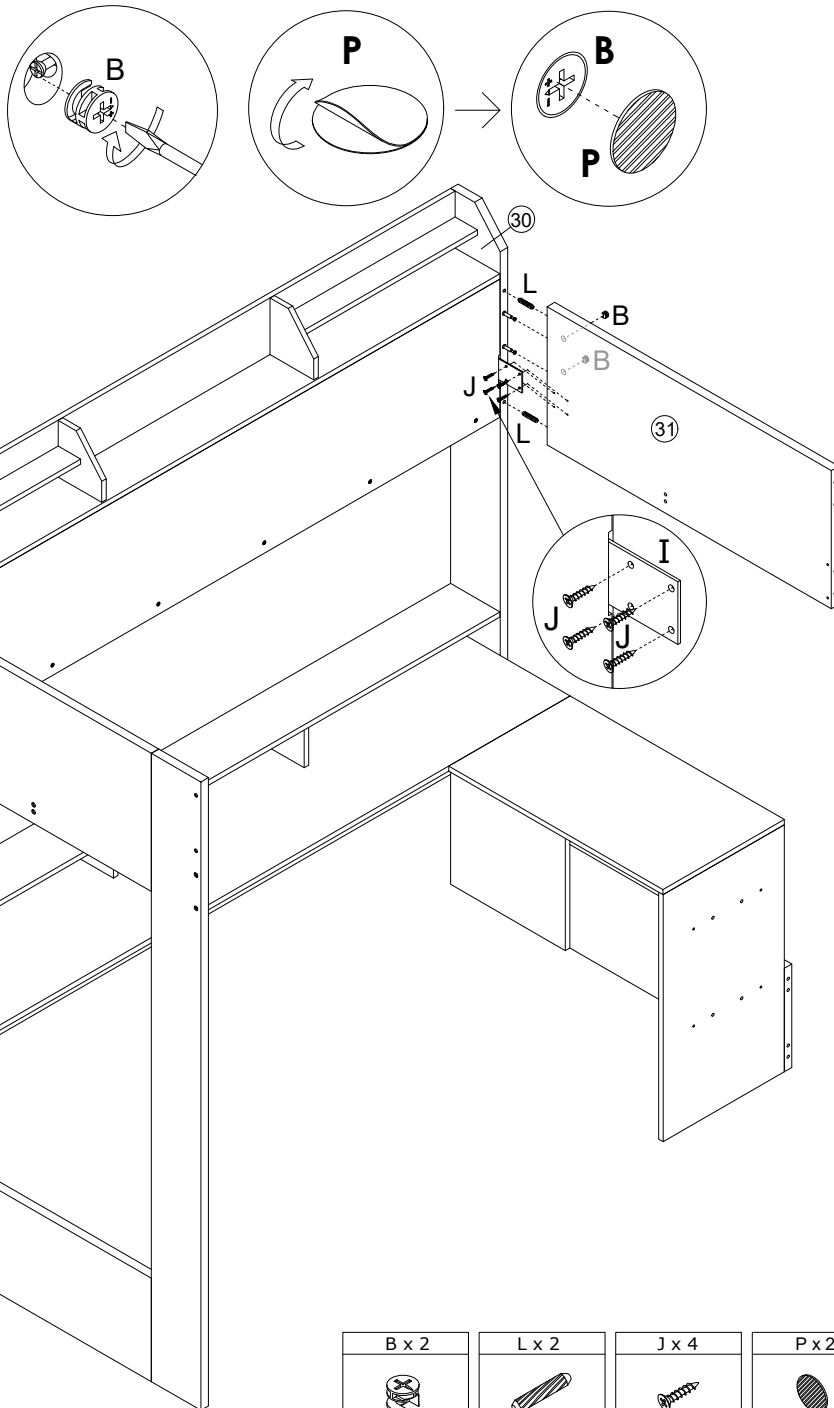
step 23



step 24

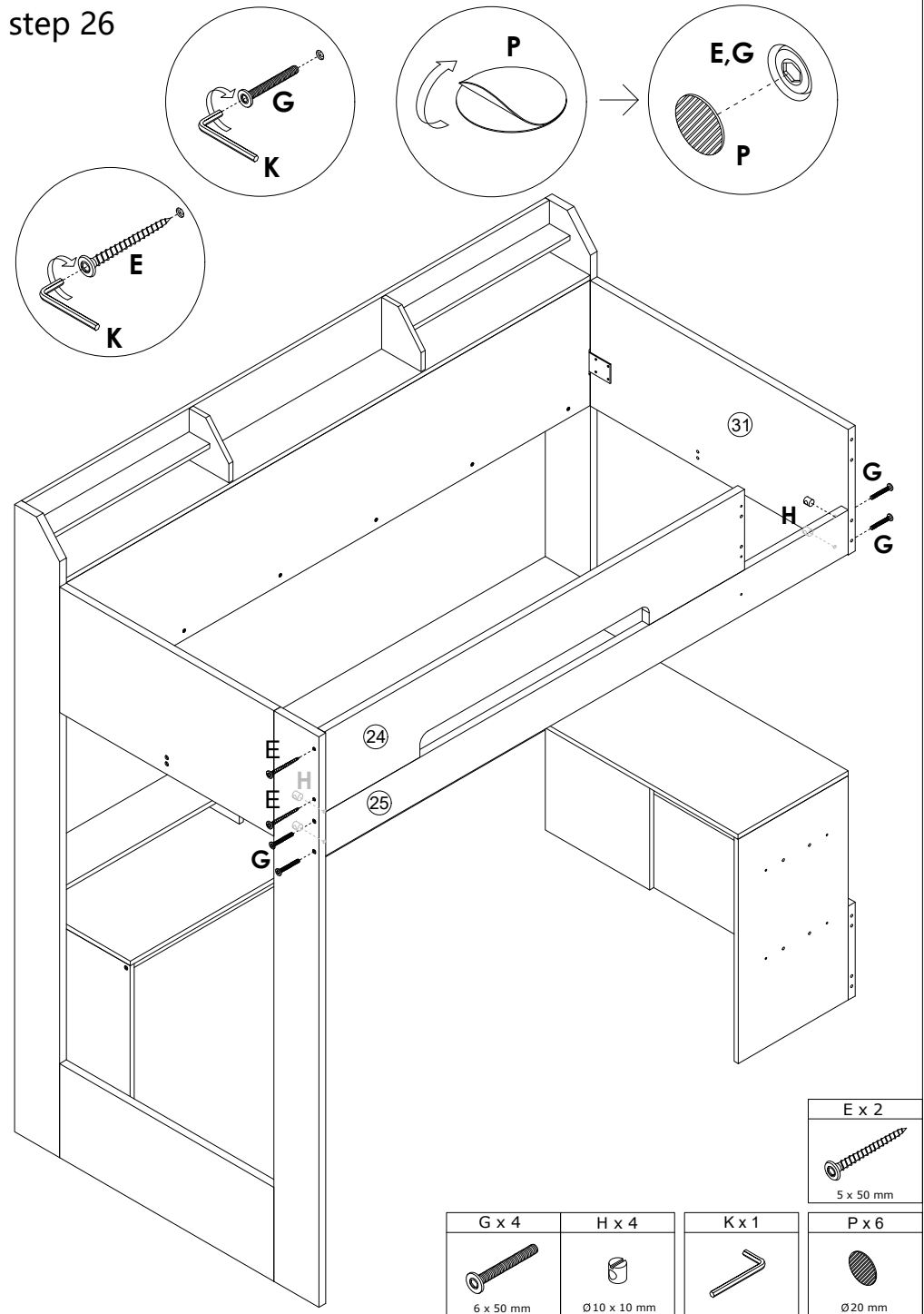


step 25



B x 2	L x 2	J x 4	P x 2
Ø15 x 9 mm	8 x 40 mm	3.5 x 14 mm	Ø20 mm

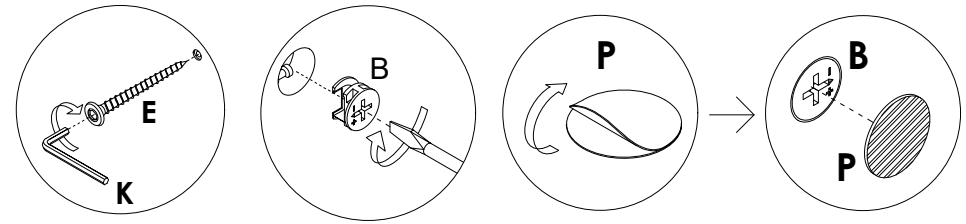
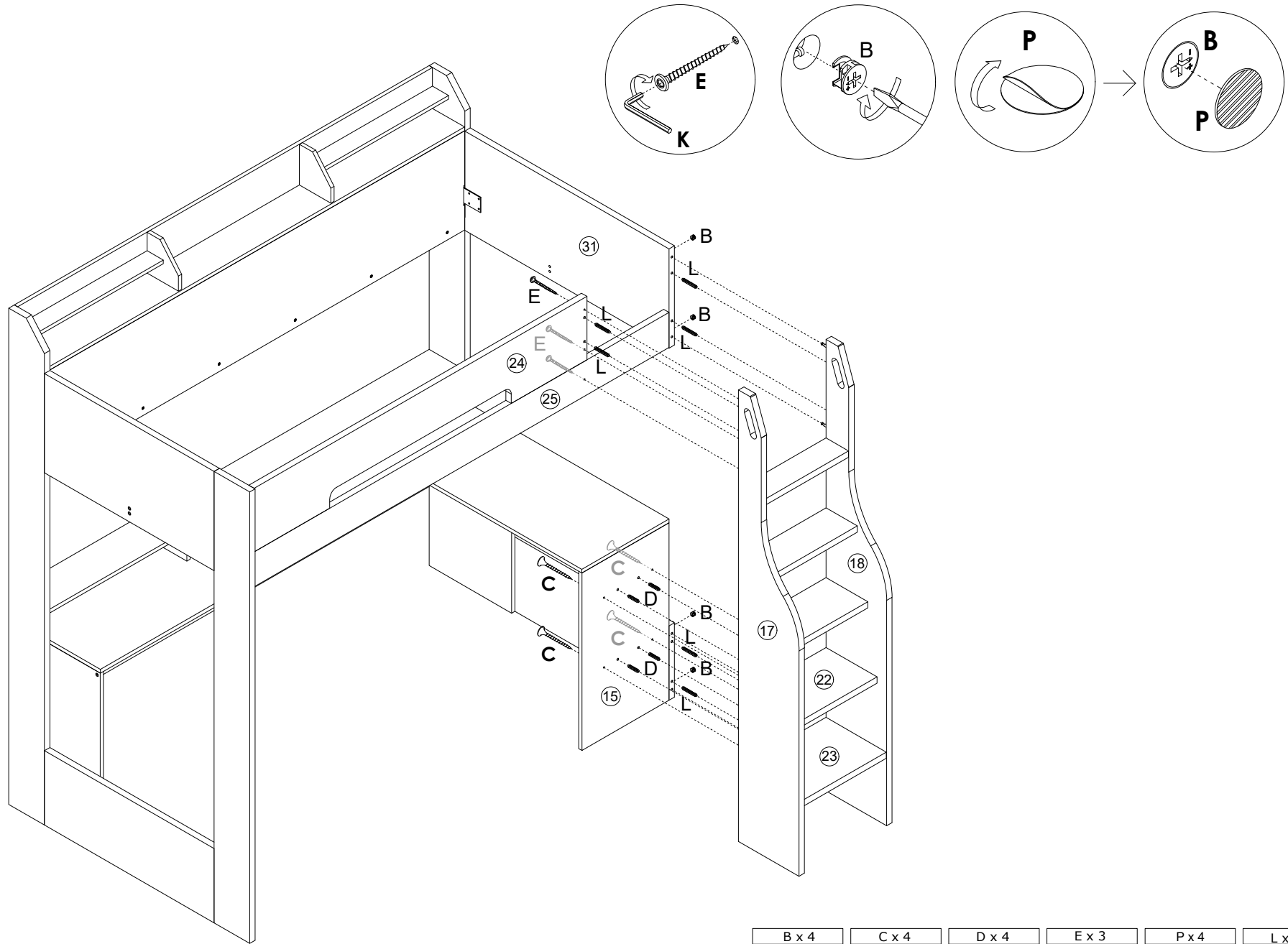
step 26









G x 4	H x 4	K x 1	P x 6
6 x 50 mm	Ø10 x 10 mm		Ø20 mm

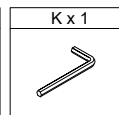
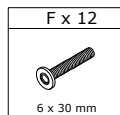
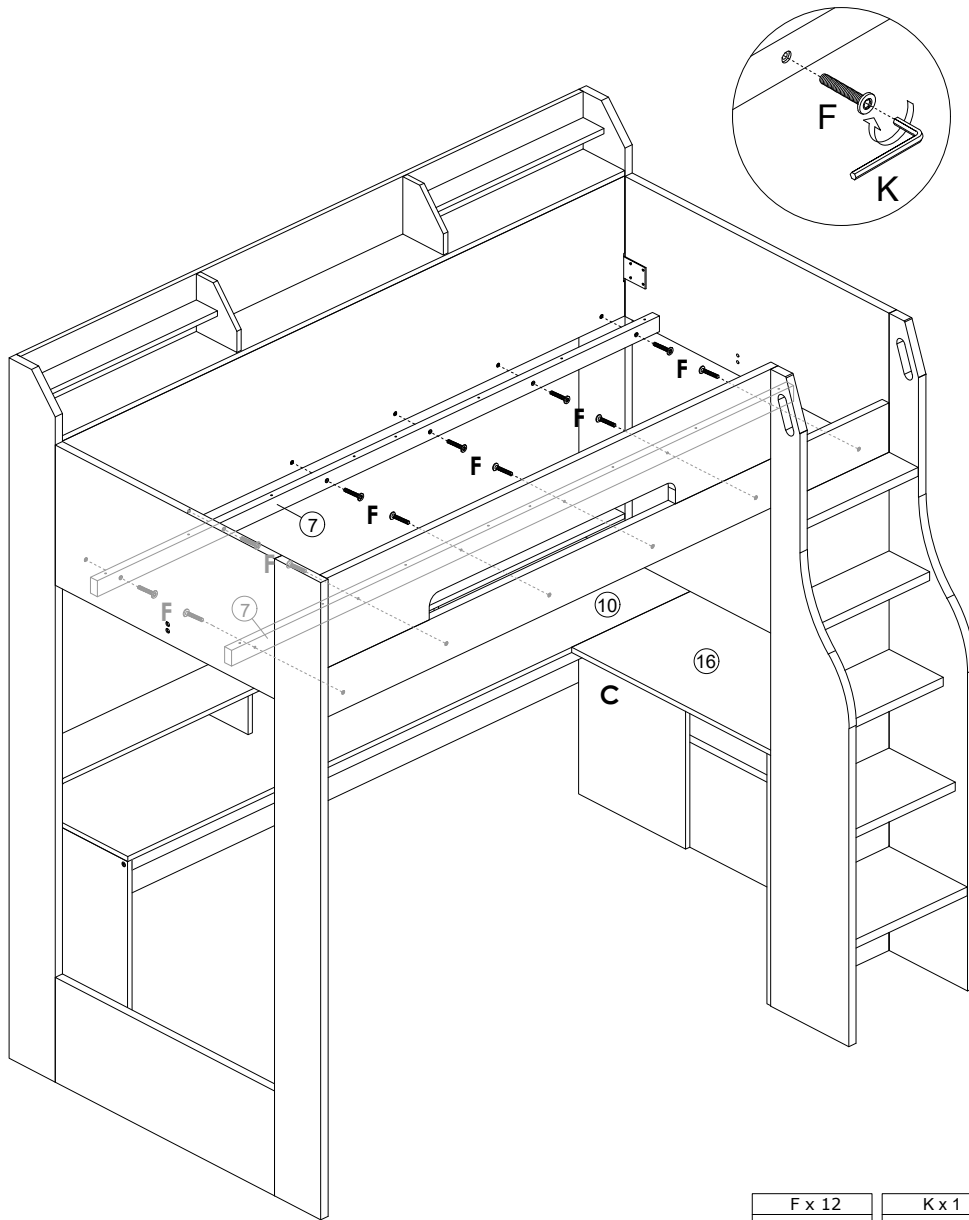
E x 2
5 x 50 mm

step 27

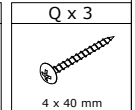
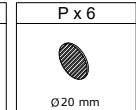
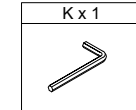
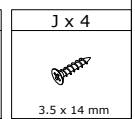
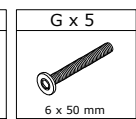
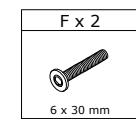
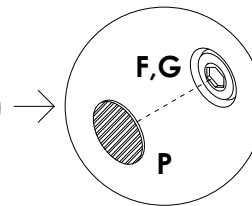
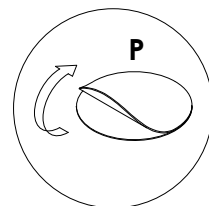
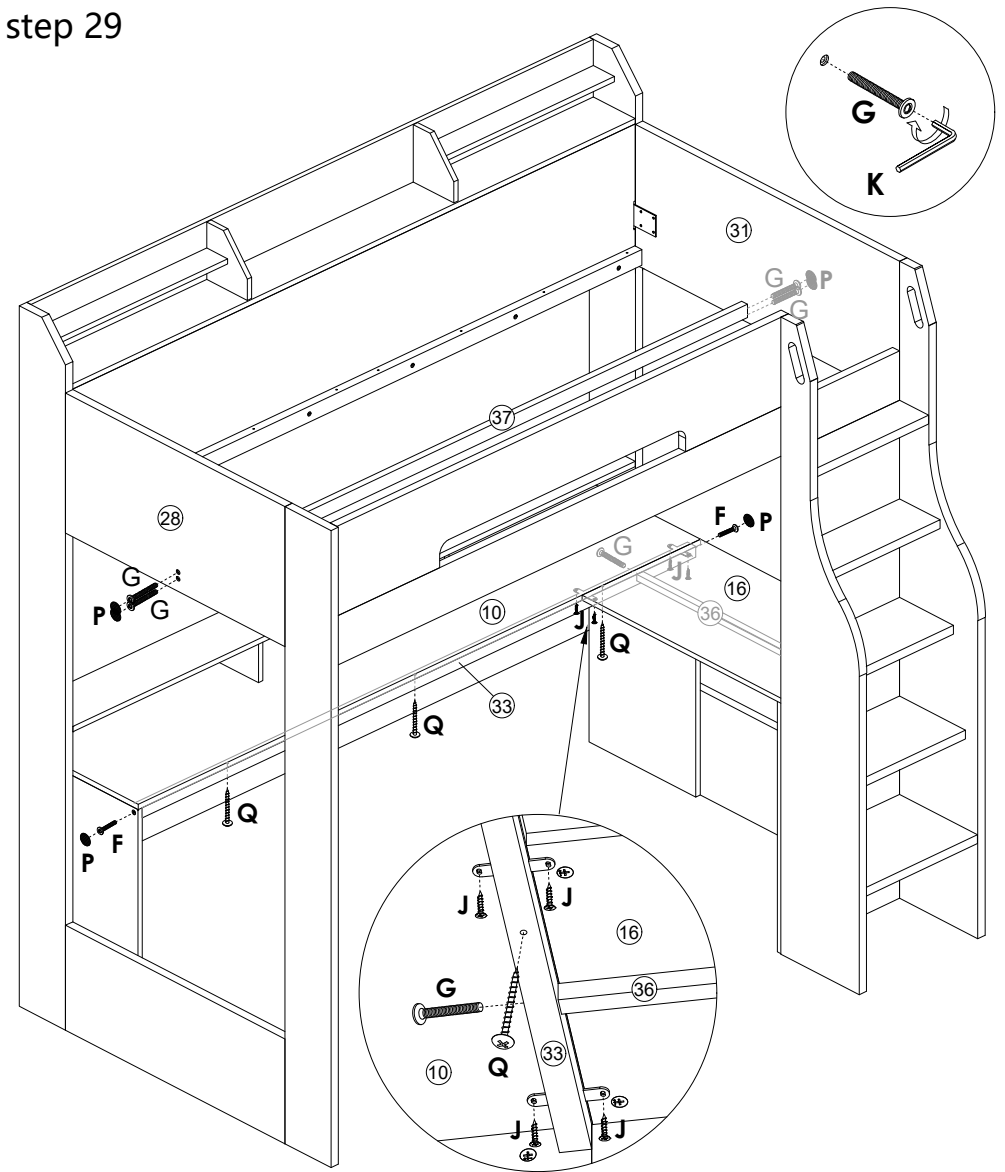


B x 4	C x 4	D x 4	E x 3	P x 4	L x 6
					
Ø15 x 9 mm	4 x 40 mm	8 x 30 mm	5 x 50 mm	Ø20 mm	8 x 40 mm

step 28



step 29



step 30

