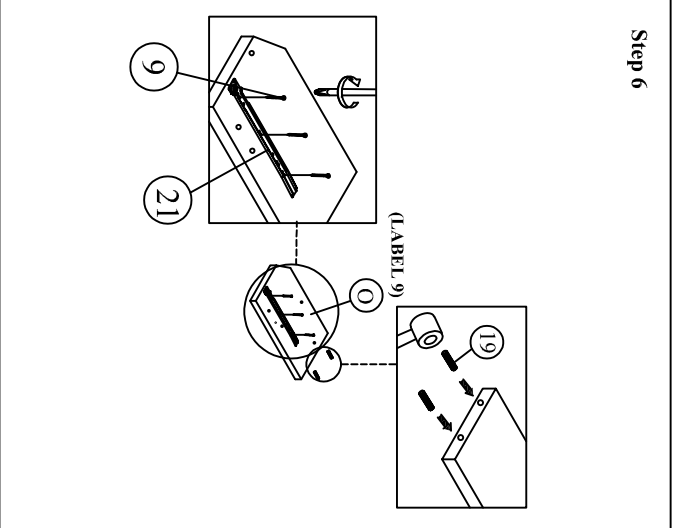
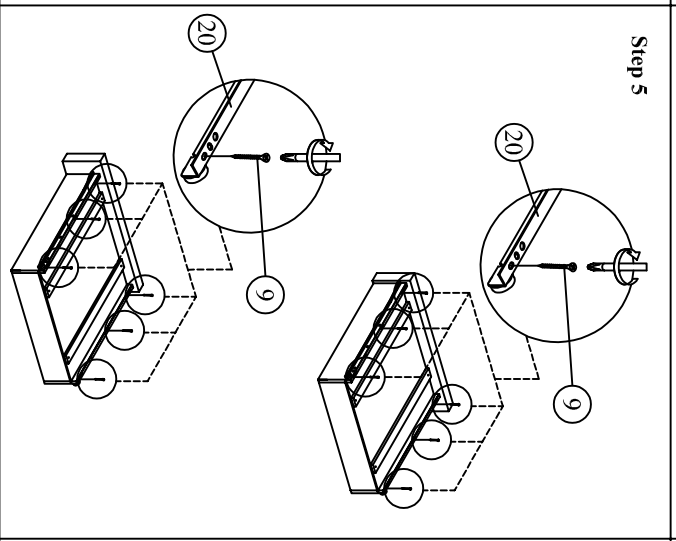
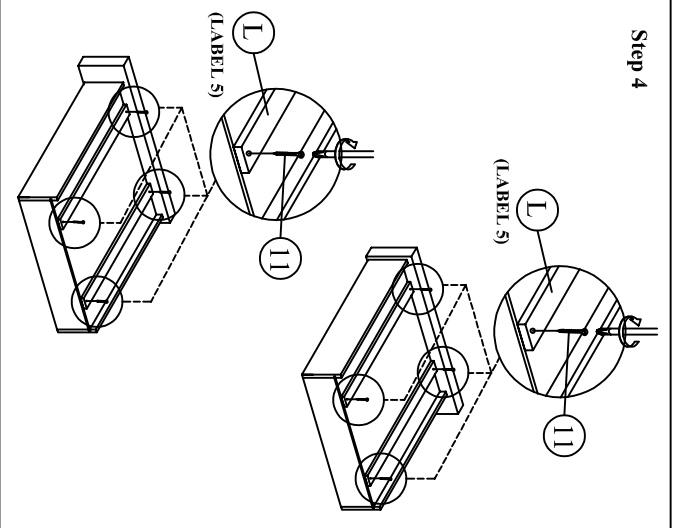
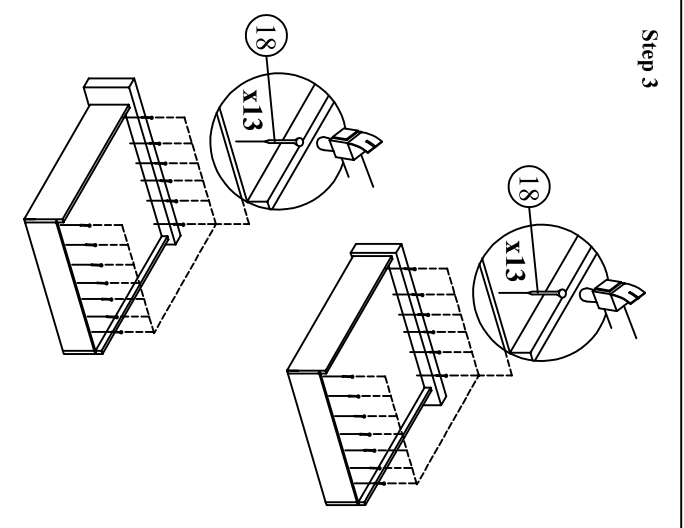
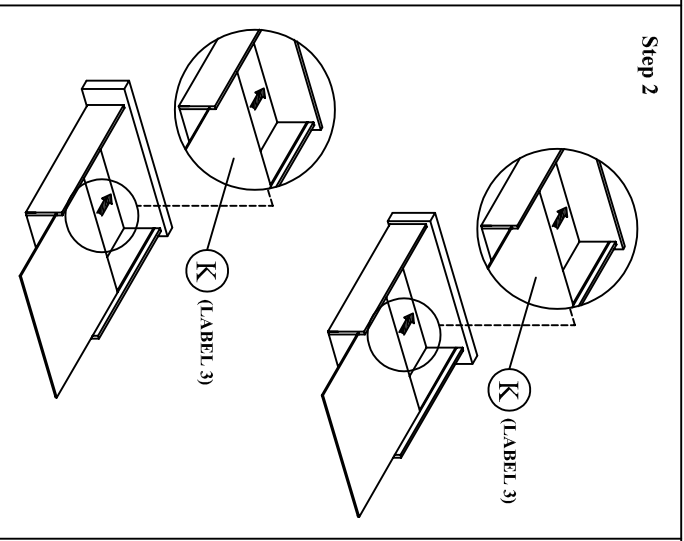
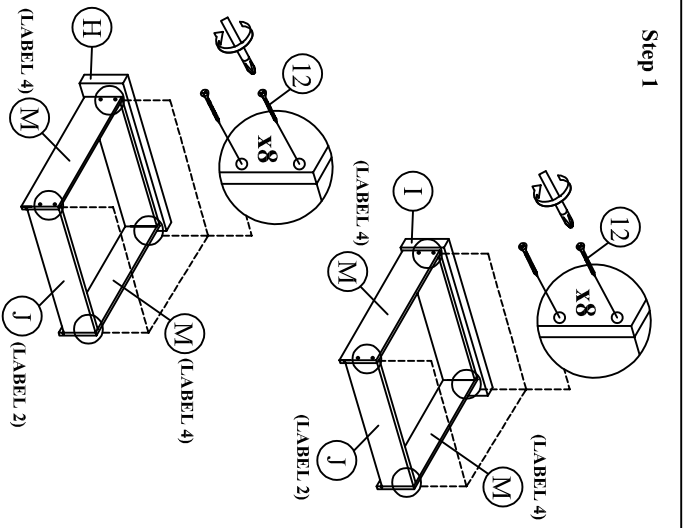
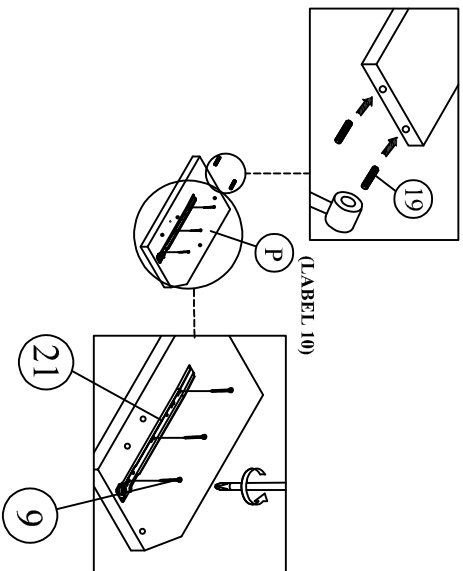


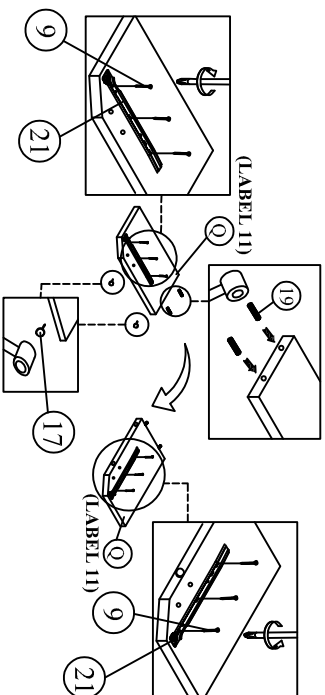
PART LIST	HARDWARE LIST
A Headboard 1 pc	JCBH M8 X 20 4 pcs
B Footboard 1 pc	JCBF M6 X 30 4 pcs
C Side Rail 2 pcs	JCSR M6 X 40 8 pcs
D 1395mm Center Rail 1 pc	JCR M6 X 50 4 pcs
E Support Leg 265mm 2 pcs	Small Adjuster 2 pcs
F Side Rail Leg 70 x 70 x 30(10) 4 pcs	M6 Flat Washer 10 pcs
G 13 Pcs Slid 1397mm 1 pc	M4 X 100mm 1 pc
H Drawer Front Panel (L) 1 pc	M3 X 70mm 1 pc
I Drawer Front Panel (R) 1 pc	CSK M4 X 16mm 24 pcs
J Drawer Back Panel 2 pcs	CSK M4 X 25mm 2 pcs
K Drawer Bottom Panel 2 pcs	CSK M4 X 32mm 37 pcs
L Drawer Bottom Panel Support 4 pcs	CSK M4 X 50mm 16 pcs
M Drawer Side Panel (LABEL 4) 4 pcs	JCBF W M6 X 40 3 pcs
N 1 Drawer Frame Panel 1 pc	Mini Fix Bolt 4 pcs
O 1 Drawer Frame Side Panel (L) 1 pc	Mini Fix Housing 4 pcs
P 1 Drawer Frame Side Panel (R) 1 pc	Mini Fix Cap 4 pcs
Q 1 Drawer Frame Middle Panel 1 pc	White Nail Leg 2 pcs
R 1 Drawer Frame Support Panel 1 pc	Power Nail X 26 pcs
S 1 Drawer Frame Support Panel 1 pc	Plastic Dowel 10 pcs
	Drawer Slid 500 2 pcs
	Drawer Slid 500 2 pcs



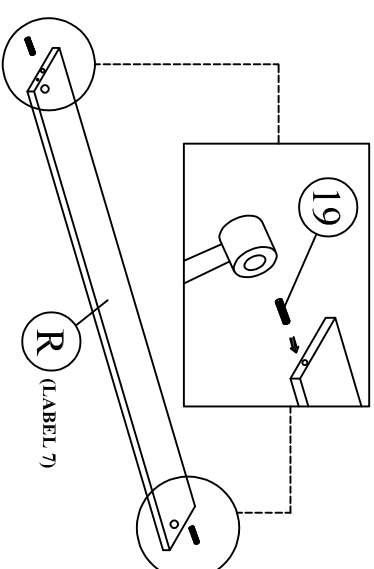
Step 7



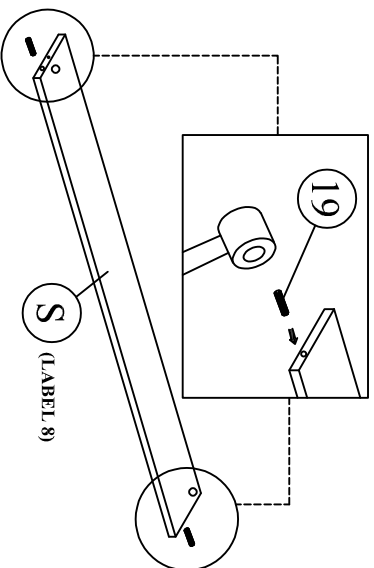
Step 8



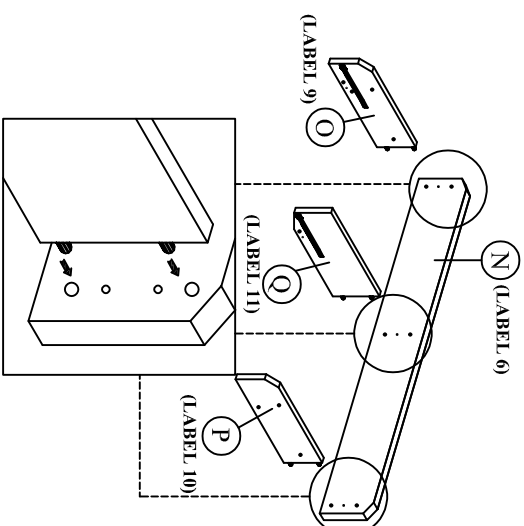
Step 9



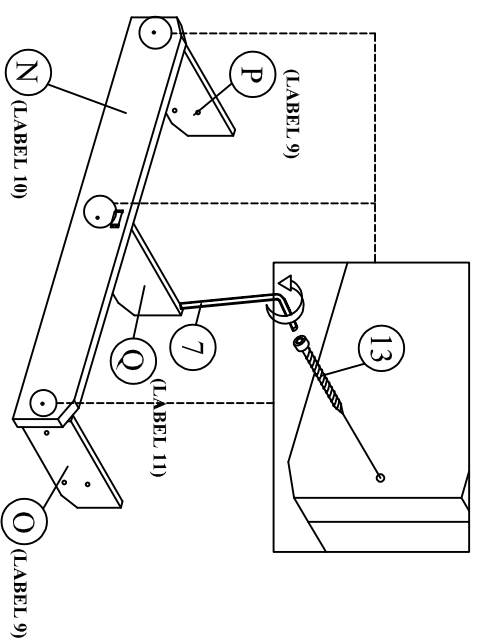
Step 10



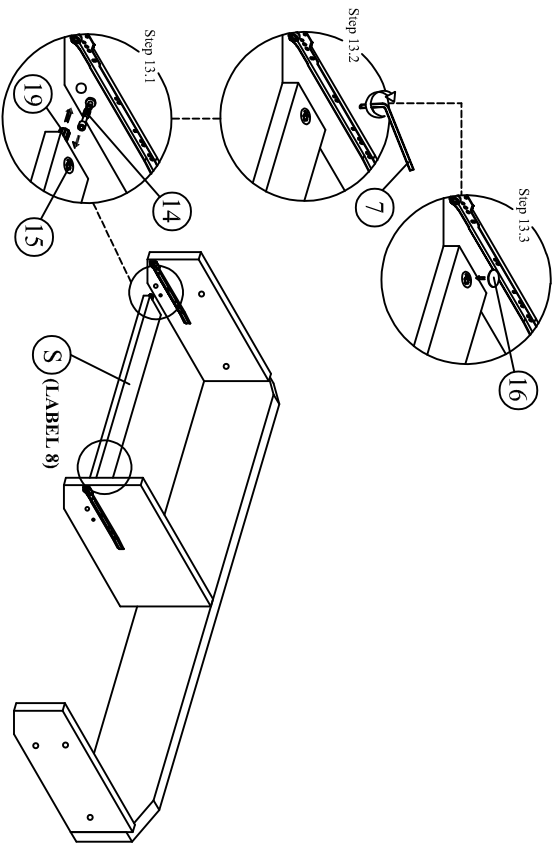
Step 11



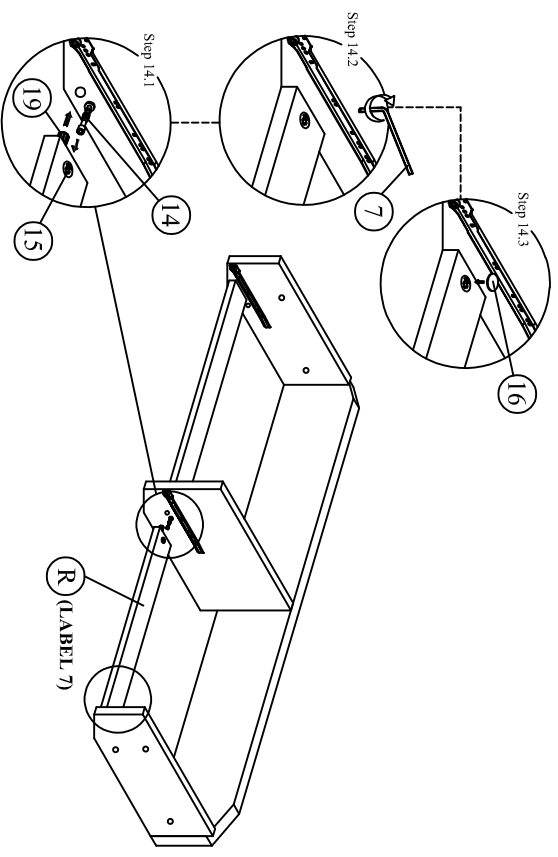
Step 12



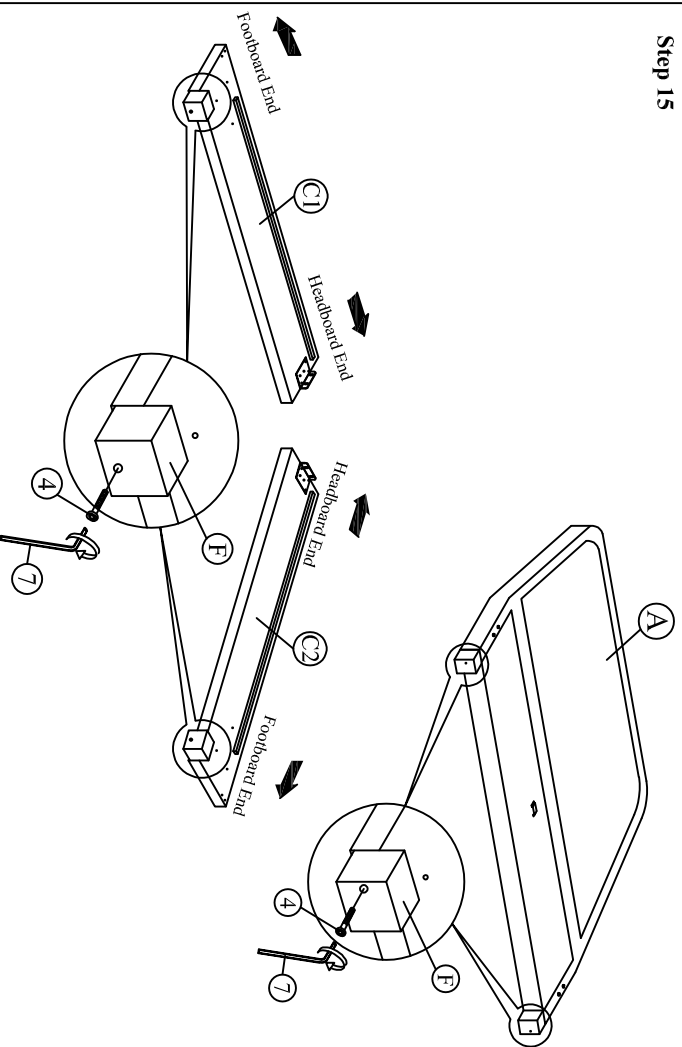
**Step 13**



**Step 14**

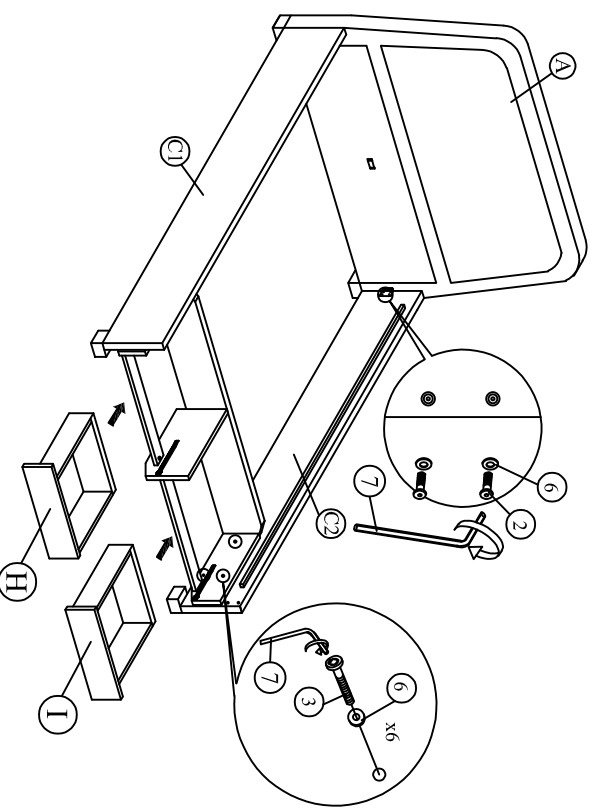


**Step 15**

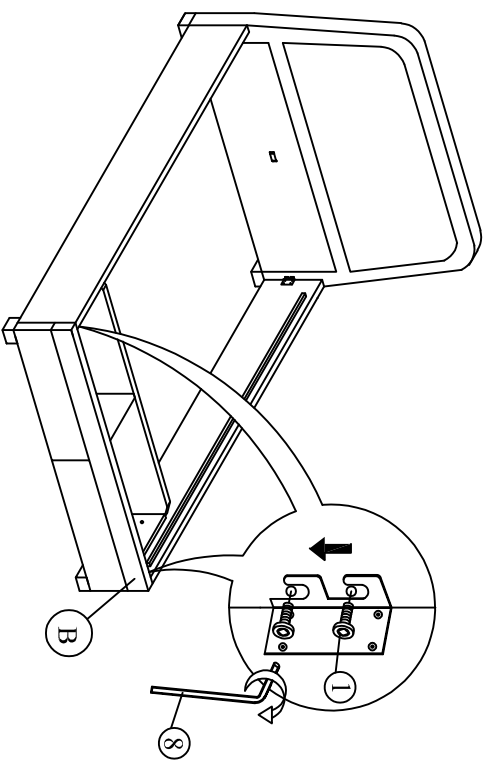


**Step 16**

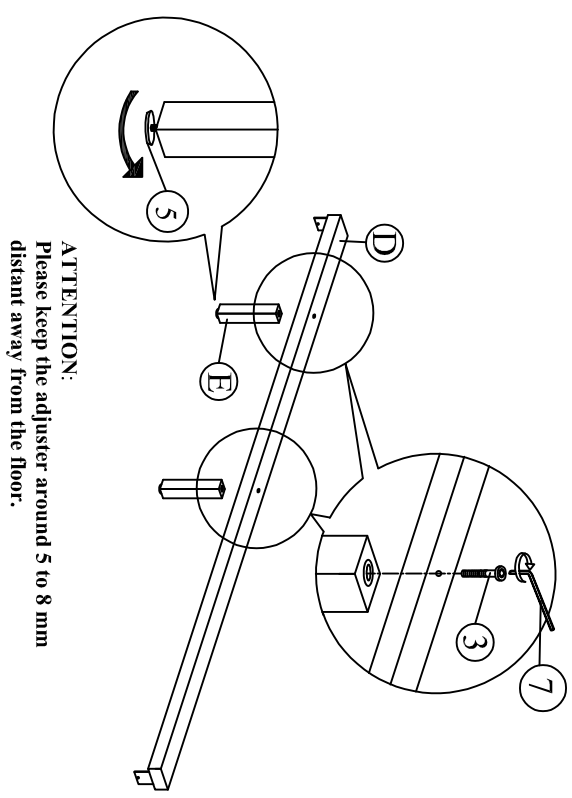
16.1 Open the drawer out till its built-in stopping point  
 16.2 Put the drawer frame on the side rail leg. Make sure the drawer side align to the side rail end.  
 16.3 Attach the drawer frame to the side rails by using the JCB and Flat Washers.



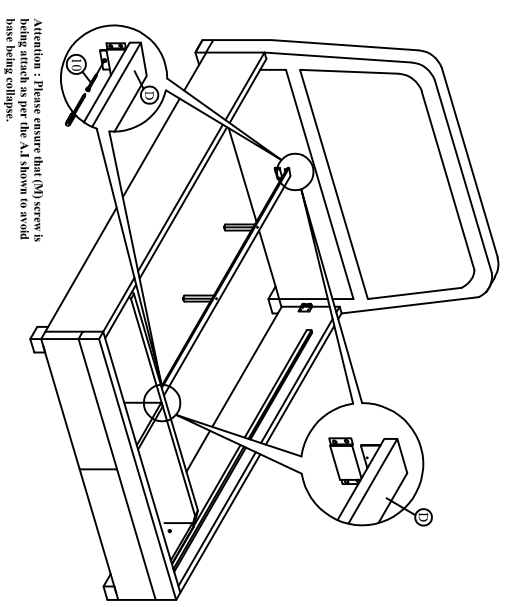
Step 17



Step 18



Step 19



Attention : Please ensure that (10) screws is being attach as per the A4 shown to avoid base being collapse.

Step 20

