

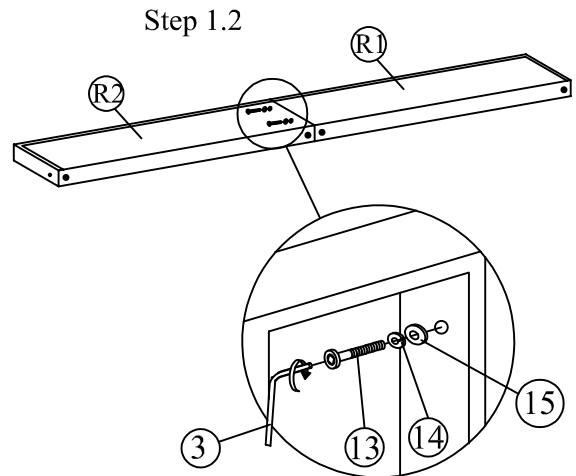
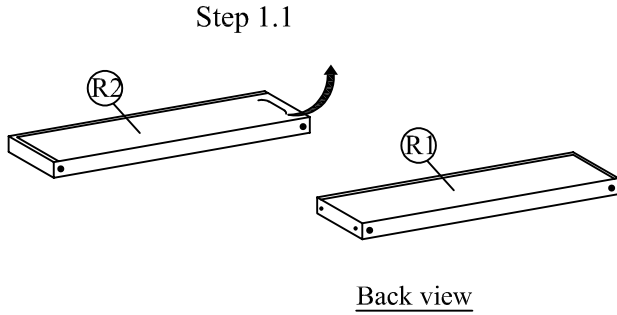
**PARTS LIST**

<p><b>A</b> HEADBOARD (2 PCS) TOP</p>	<p><b>B</b> FOOTBOARD (1 PC)</p>	<p><b>C</b> SIDE RAIL (2 PCS)</p>	<p><b>D</b> CENTRAL RAIL (1 PC) 2040mm</p>	<p><b>E</b> SUPPORT LEG (2 PCS) 265mm</p>	<p><b>F</b> SIDE RAIL (4 PCS) SUPPORT 266 x 60 x 15mm</p>
<p><b>G</b> LEGS (2 PCS) 70 x 70 x 50(H)</p>	<p><b>H</b> FOOTBOARD (1 PC) FRONT PANEL (WITH LABEL 1)</p>	<p><b>I</b> FOOTBOARD (1 PC) BACK PANEL (WITH LABEL 2)</p>	<p><b>J</b> FOOTBOARD &amp; SIDE RAIL SIDE PANEL (6 PCS) (WITH LABEL 3)</p>	<p><b>K</b> FOOTBOARD (1 PC) BOTTOM PANEL (WITH LABEL 4)</p>	<p><b>L</b> SIDE RAIL (2 PCS) FRONT PANEL (WITH LABEL 5)</p>
<p><b>M</b> SIDE RAIL (2 PCS) BACK PANEL (WITH LABEL 6)</p>	<p><b>N</b> SIDE RAIL (2 PCS) BOTTOM PANEL (WITH LABEL 7)</p>	<p><b>O</b> BOTTOM PANEL (7 PCS) BIG SUPPORT (WITH LABEL 8)</p>	<p><b>P</b> BOTTOM PANEL (4 PCS) SMALL SUPPORT (WITH LABEL 9)</p>	<p><b>Q</b> SLAT (14 PCS) 1537mm</p>	<p><b>R</b> HEADBOARD (2 PCS) BOTTOM R1 R2</p>

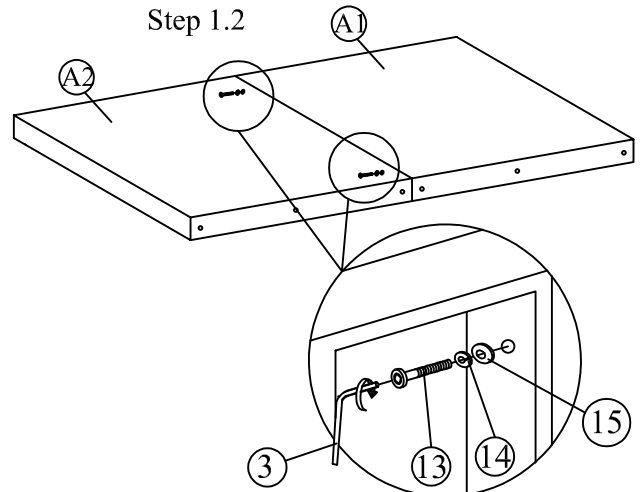
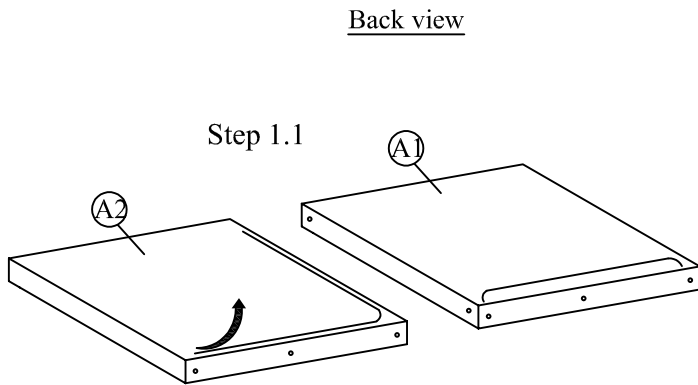
**HARDWARE LIST**

<p><b>1</b> JCBC M6 X 40mm(2 PCS)</p>	<p><b>2</b> JCBB M8 x 16 mm (8 PCS) (PRE-ATTACHED)</p>	<p><b>3</b> ALLEN KEY M4X 65mm (1 PC)</p>	<p><b>4</b> ALLEN KEY M5 X 70mm (1 PC)</p>	<p><b>5</b> CSK M3.5 x 16mm (60 PCS)</p>
<p><b>6</b> CSK M4 x 28mm (8 PCS)</p>	<p><b>7</b> CSK M4 x 32mm (67 PCS)</p>	<p><b>8</b> CSK M4 x 50mm (28 PCS)</p>	<p><b>9</b> ROLLER (14 PCS)</p>	<p><b>10</b> WOOD DOWEL 20MM (8 PCS)</p>
<p><b>11</b> POWER NAIL 6/8 (24 PCS)</p>	<p><b>12</b> SMALL ADJUSTER (2 PCS)</p>	<p><b>13</b> JCBC M6 X 50mm (10 PCS)</p>	<p><b>14</b> SPRING WASHERS (10 PCS)</p>	<p><b>15</b> FLAT WASHERS (10 PCS)</p>
<p><b>16</b> METAL STOPPER (6 PCS)</p>	<p><b>17</b> U BRACKET (1 PC)</p>			

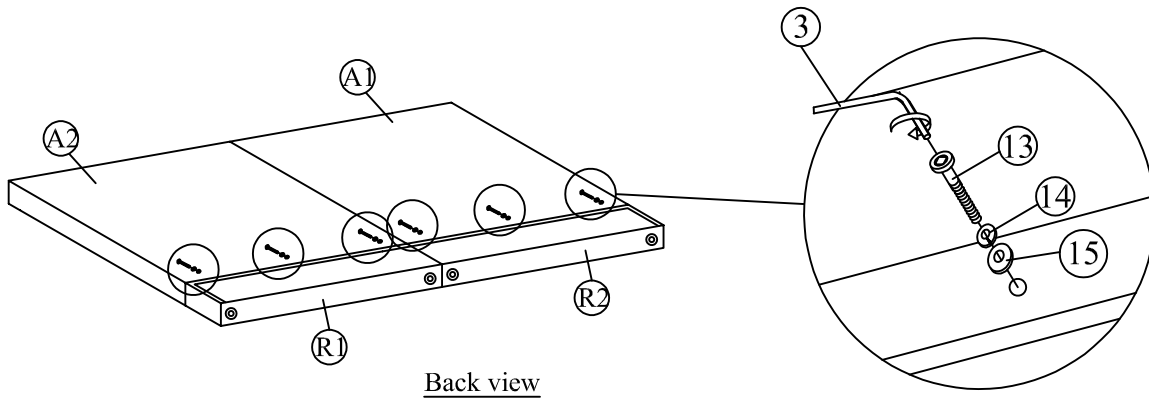
Step 1 : Unzip the black non-woven fabric on the back of headboard bottom (R). Tighten the headboard bottom (R1) to headboard bottom (R2) as shown.



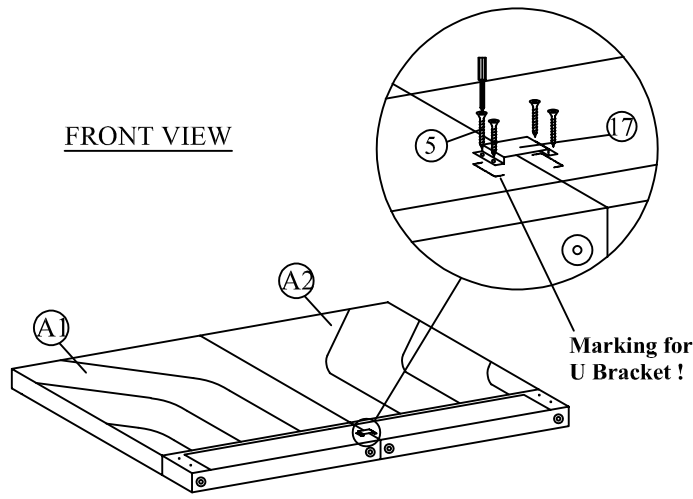
Step 2 : Unzip the black non-woven fabric on the back of headboard bottom (A). Tighten the headboard Upper (A1+A2) as shown.



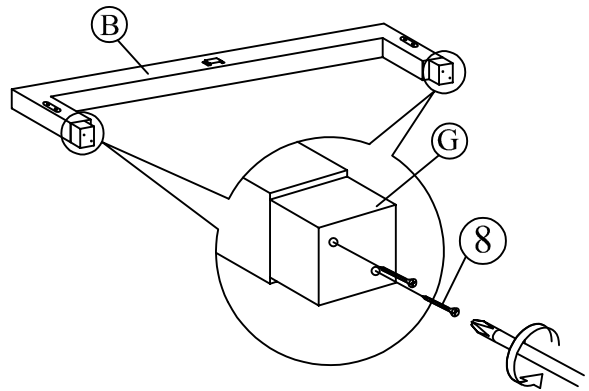
Step 3 : Unzip the black non-woven fabric on the back of headboard bottom (A1+A2). Tighten the headboard Upper (A1+A2) to headboard bottom (R1+R2) as shown.



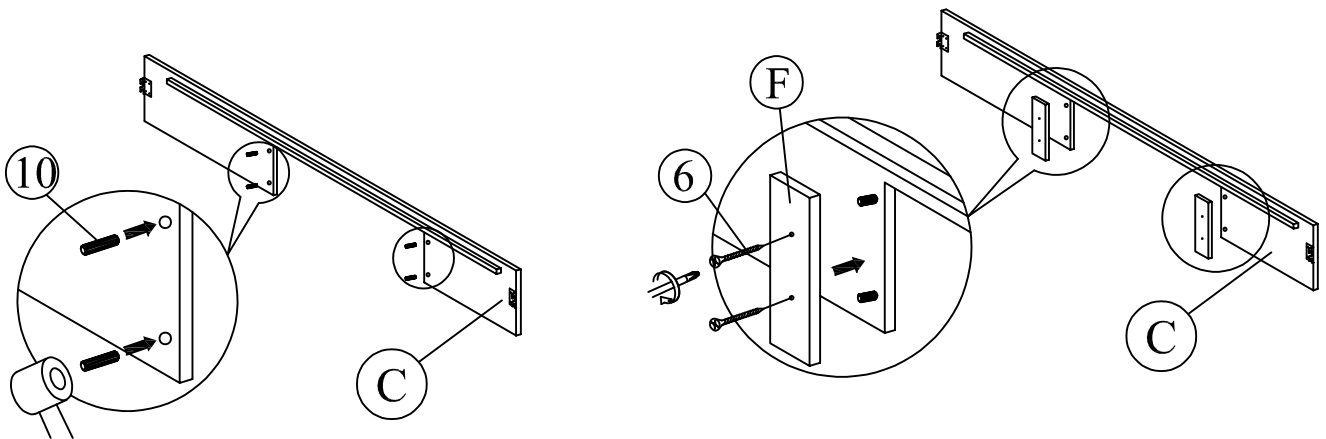
Step 4 : Attach U bracket (17) to headboard (A1+A2) as shown



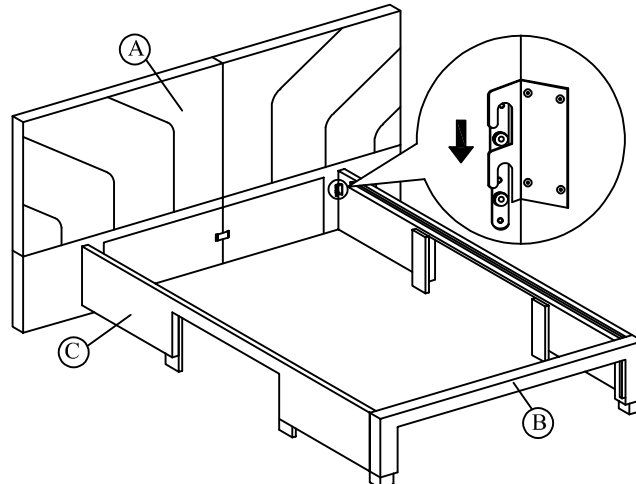
Step 5 : Tighten the legs (G) by using self tapping screws to both headboard (A) and footboard (B) as shown.



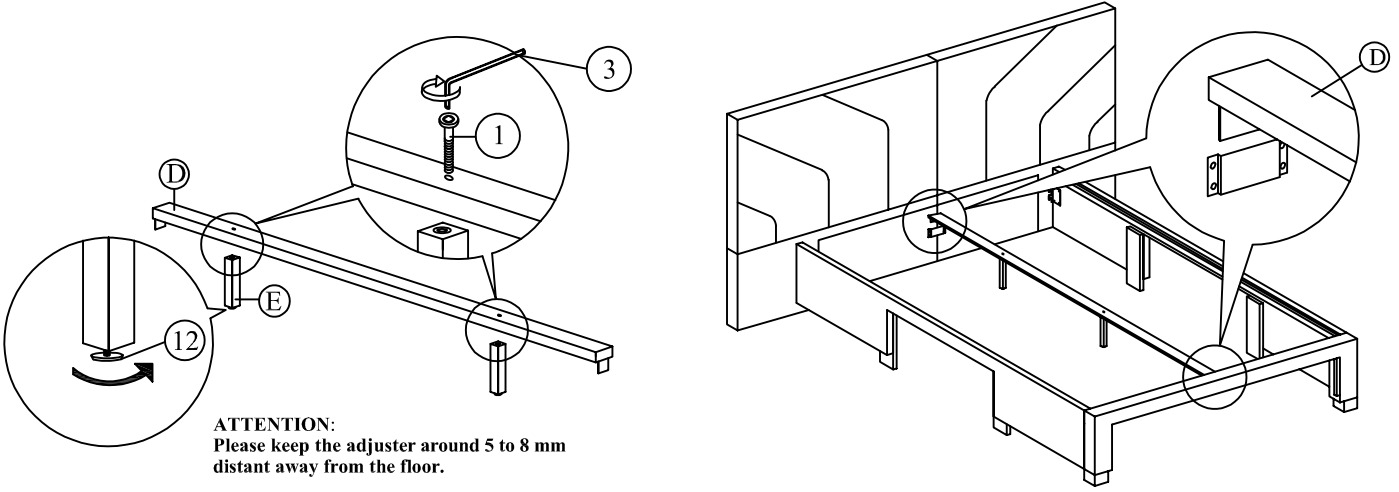
Step 6 : Attach wood dowel (10) to side rail (C). Tighten the side rail support (F) to the side rail (C) with screws (6) using screw driver (not included).



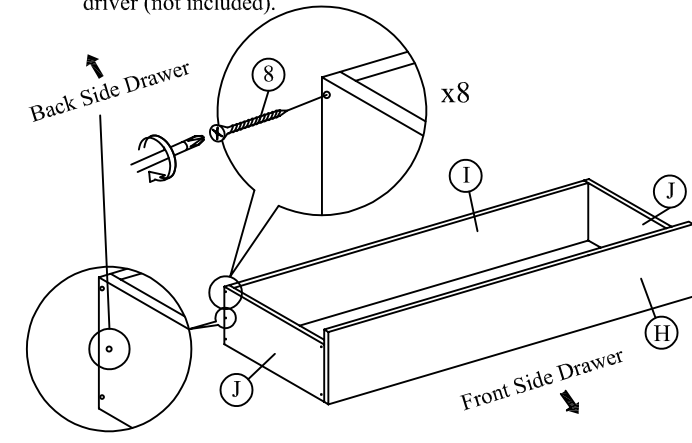
Step 7 : Attach side rail (C) to headboard (A) and footboard (B) by pushing the bracket down to fit it.



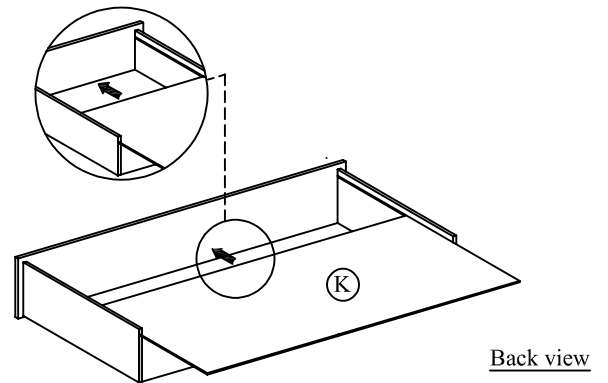
Step 8 : Attach the support legs (E) to the center rail (D) of the bed as shown. Slide the center rail (D) to the headboard (A) and footboard (B).



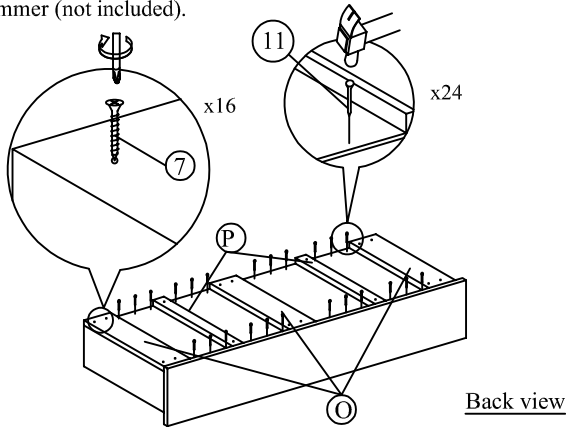
Step 9 : Tighten the footboard side panel (J) to the footboard front panel (H) and footboard back panel (I) with screws (8) using screw driver (not included).



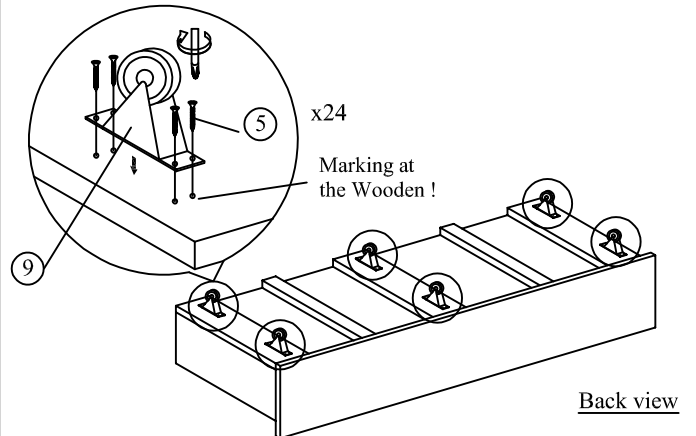
Step 10 : Slide the footboard bottom panel (K) to the set up drawer.



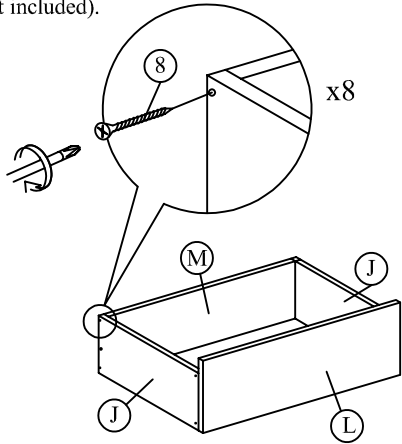
Step 11 : Tighten the bottom panel support (O & P) with screws (7) using screw driver (not included). Attach the bottom panel with Nail (11) using the hammer (not included).



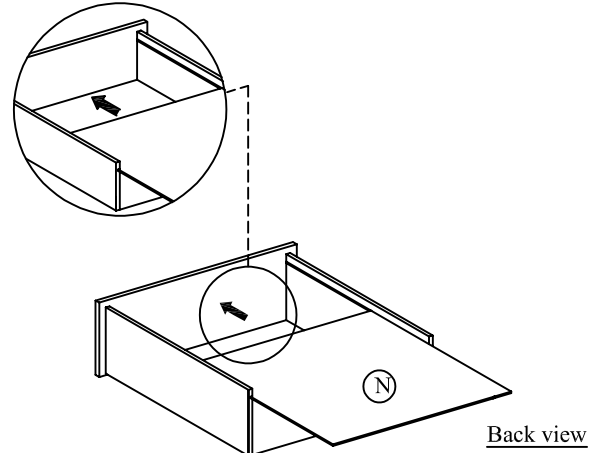
Step 12 : Tighten the roller (9) with screws (5) using screw driver (not included).



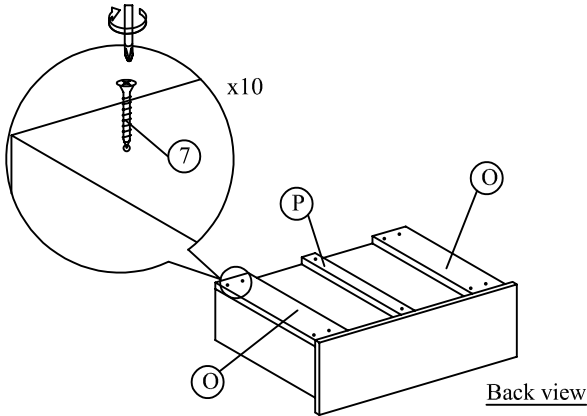
Step 13 : Tighten the side rail side panel (J) to the side rail front panel (L) and side rail back panel (M) with screws (8) using screwdriver (not included).



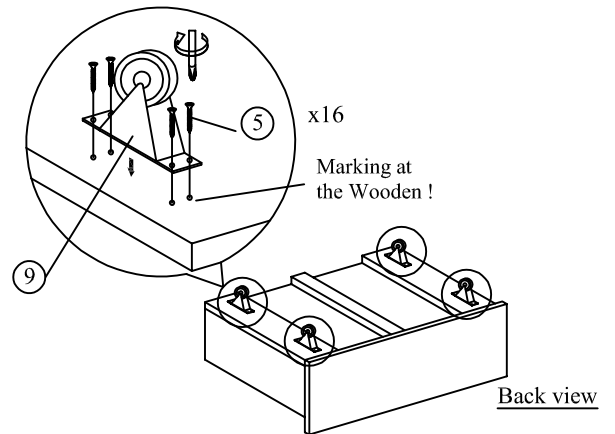
Step 14 : Slide the side rail bottom panel (N) to the set up drawer.



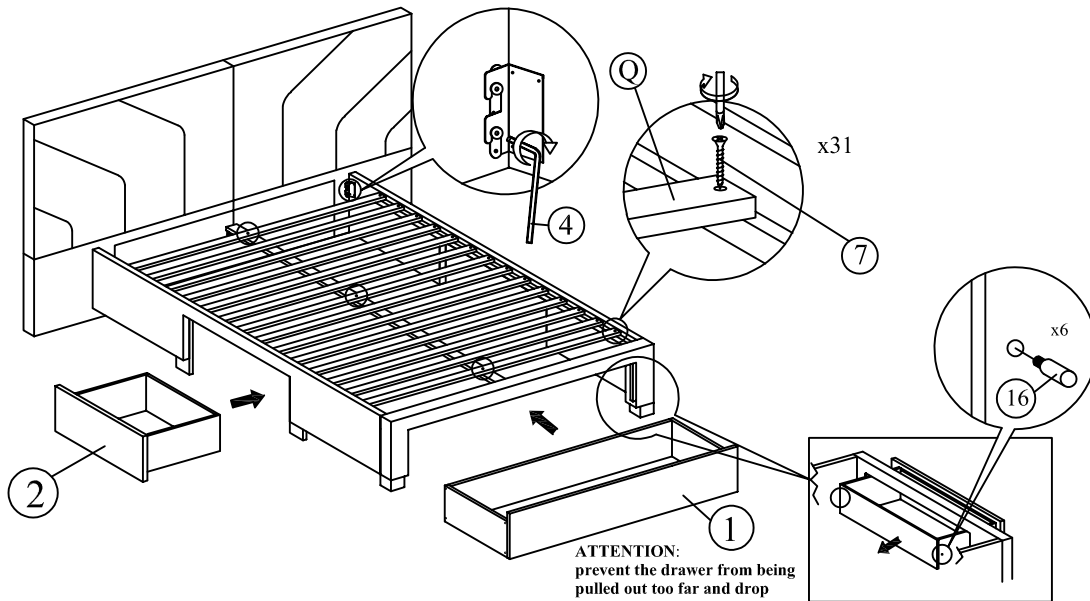
Step 15 : Tighten the bottom panel support (O & P) with screws (7) using screw driver (not included).



Step 16 : Tighten the roller (9) with screws (5) using screw driver (not included).



Step 17 : Affix the Slat (Q) to the side rail support wood and the center rail (D). Tighten all the 4 corner.



ATTENTION:  
prevent the drawer from being  
pulled out too far and drop

It is optional to choose attach  
the drawer stopper.