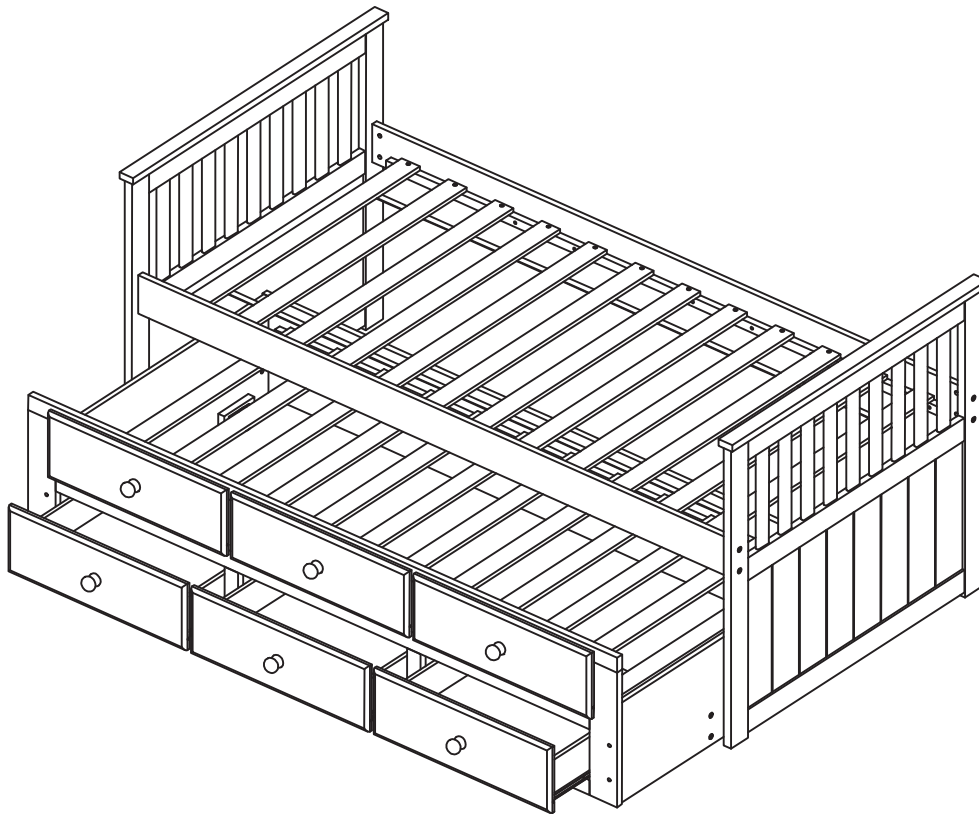


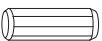
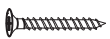



Assembly Instructions Vancouver Captain Bed

1/3



Hardware

A	JCBC M6 x 60mm		x 8
B	M6 x 15mm Barrel Nut		x 8
C	Wood Dowel M10 x 30mm		x 4
D	CSK M4 x 25mm		x 24
E	M4 Allen Key		x 1

ASSEMBLY TIPS

Remove hardware from box and sort by size to check that all hardware and parts are present before assembling. Follow instructions below in the proper sequence to ensure fast, easy and correct assembly.



WARNING !!

DO NOT FULLY TIGHTEN ALL BOLTS UNTIL ALL PARTS ARE IN PLACE. FAILURE TO FOLLOW THIS INSTRUCTION MAY CAUSE THE BOLTS TO BE MISALIGNED DURING THE ASSEMBLY.

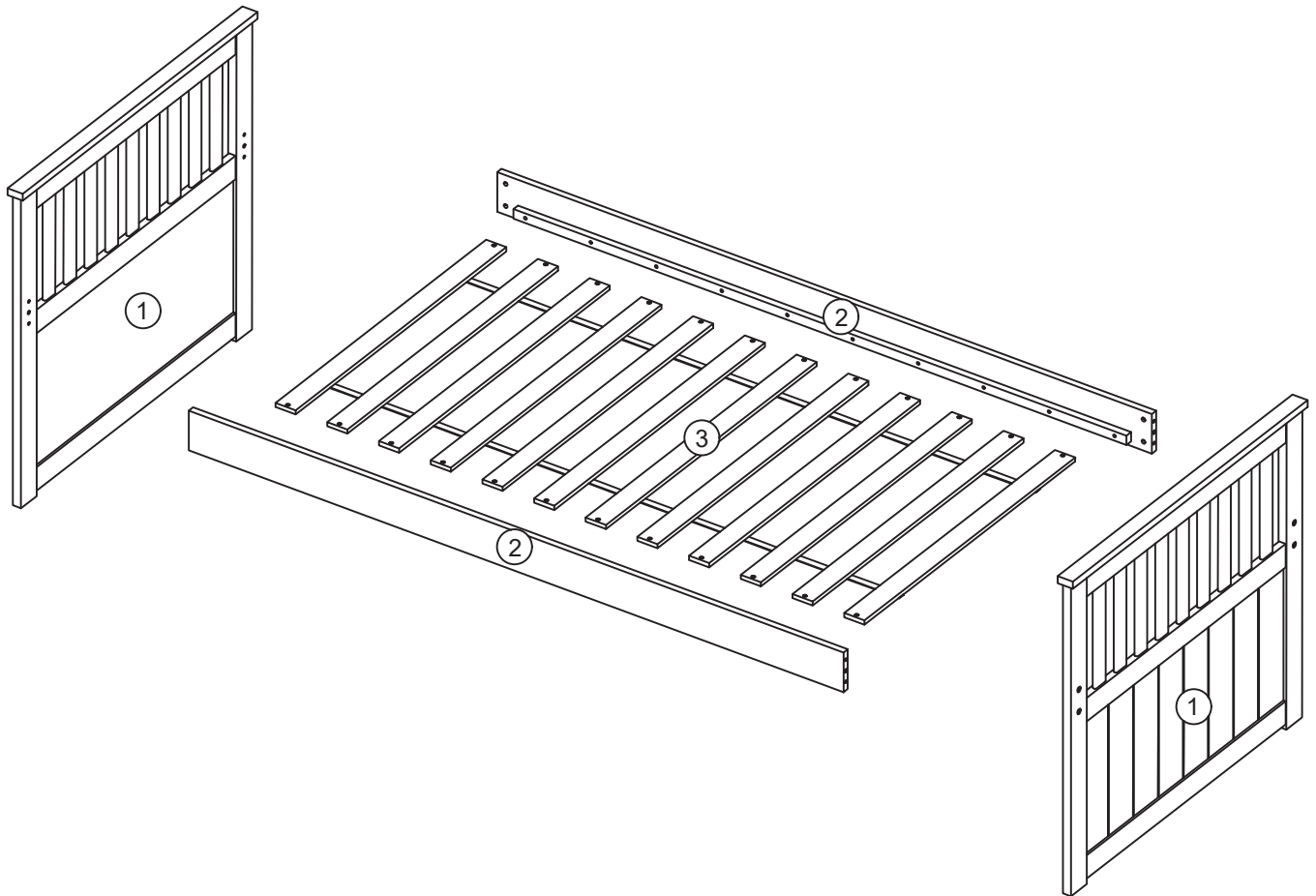
Tool required for assembly :

- * Allen Key (supplied)
- * Phillips Screwdriver (not supplied)

Assembly Instructions Vancouver Captain Bed

2/3

Part in Box

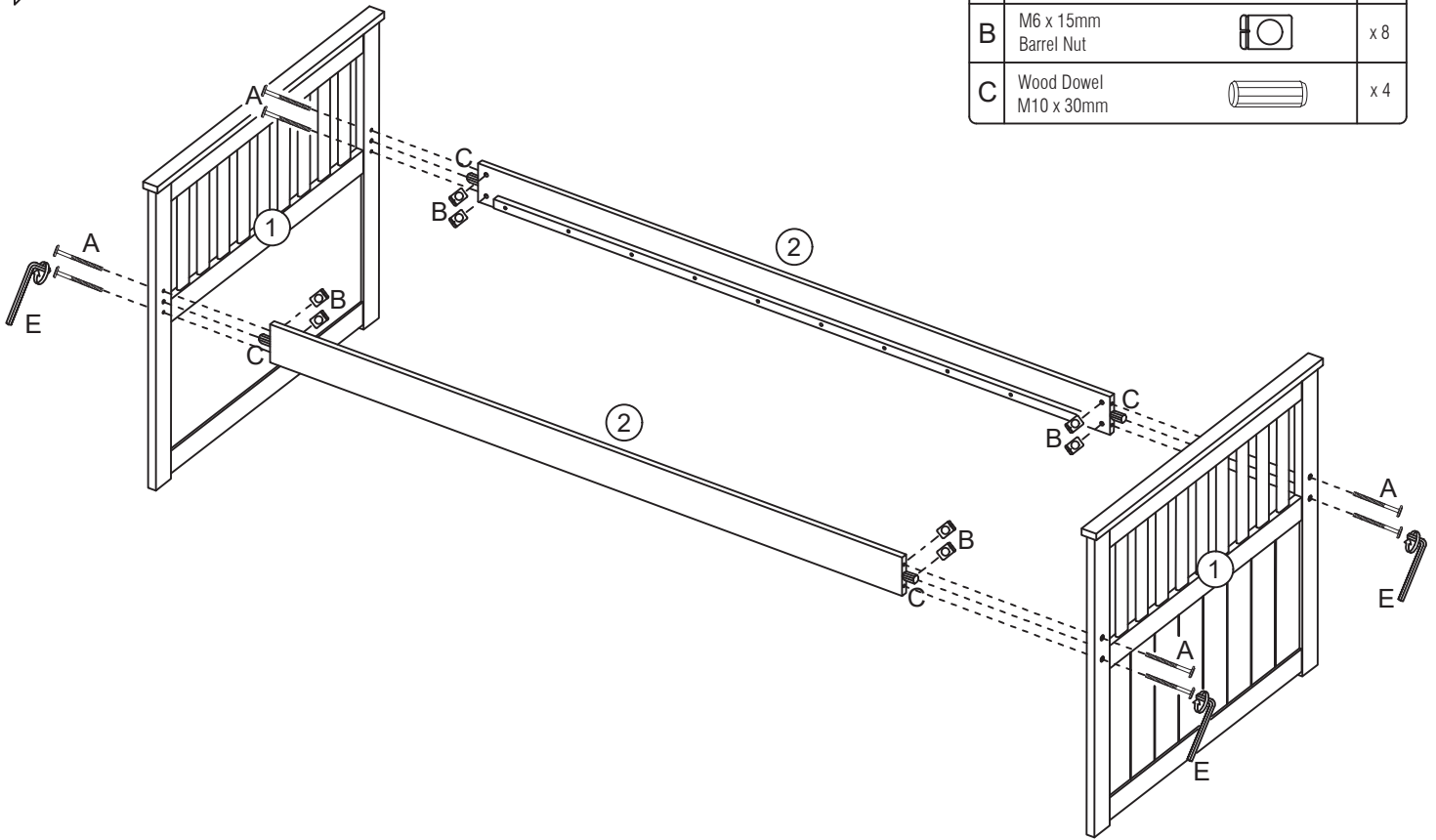




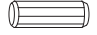
Parts No	Description	Qty	Carton #
1	HB. FB Panel	2	1/2
2	Side Rail	2	1/2
3	Bed Slats	1	1/2

Assembly Instructions Vancouver Captain Bed

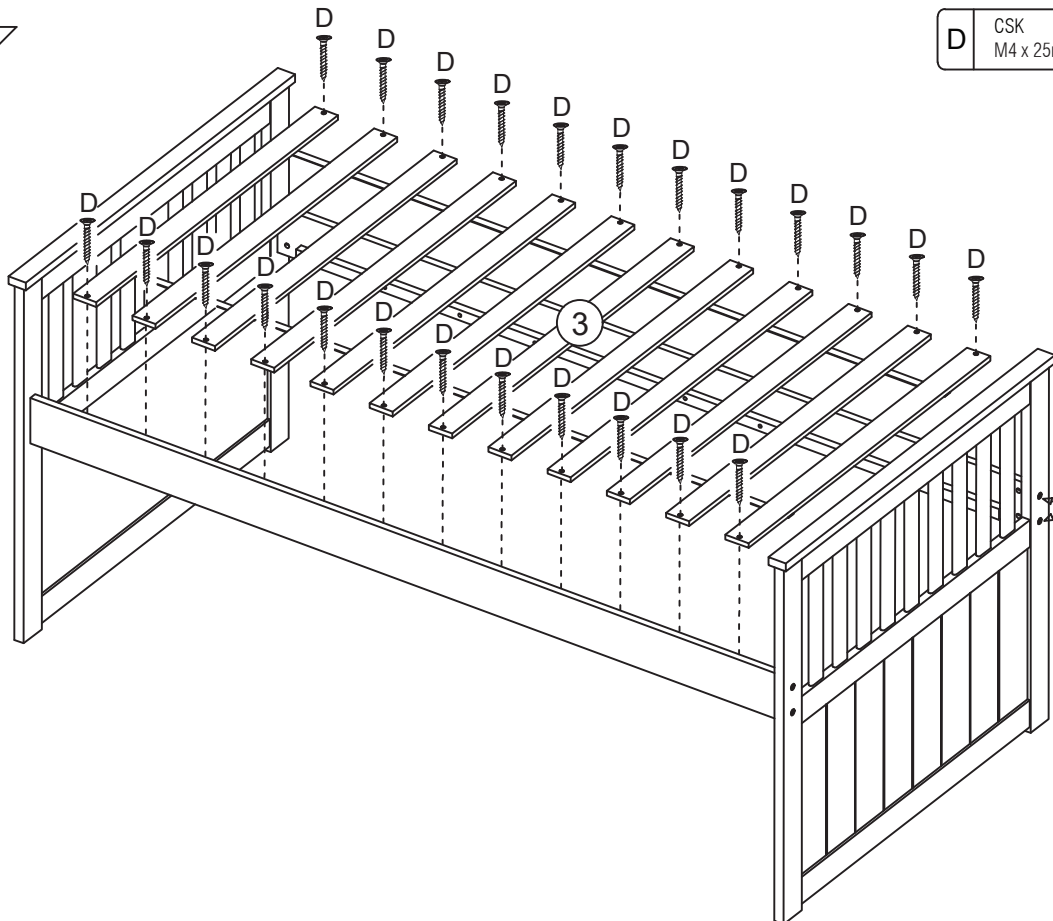
3/3

1



A	JCBC M6 x 60mm		x 8
B	M6 x 15mm Barrel Nut		x 8
C	Wood Dowel M10 x 30mm		x 4

2

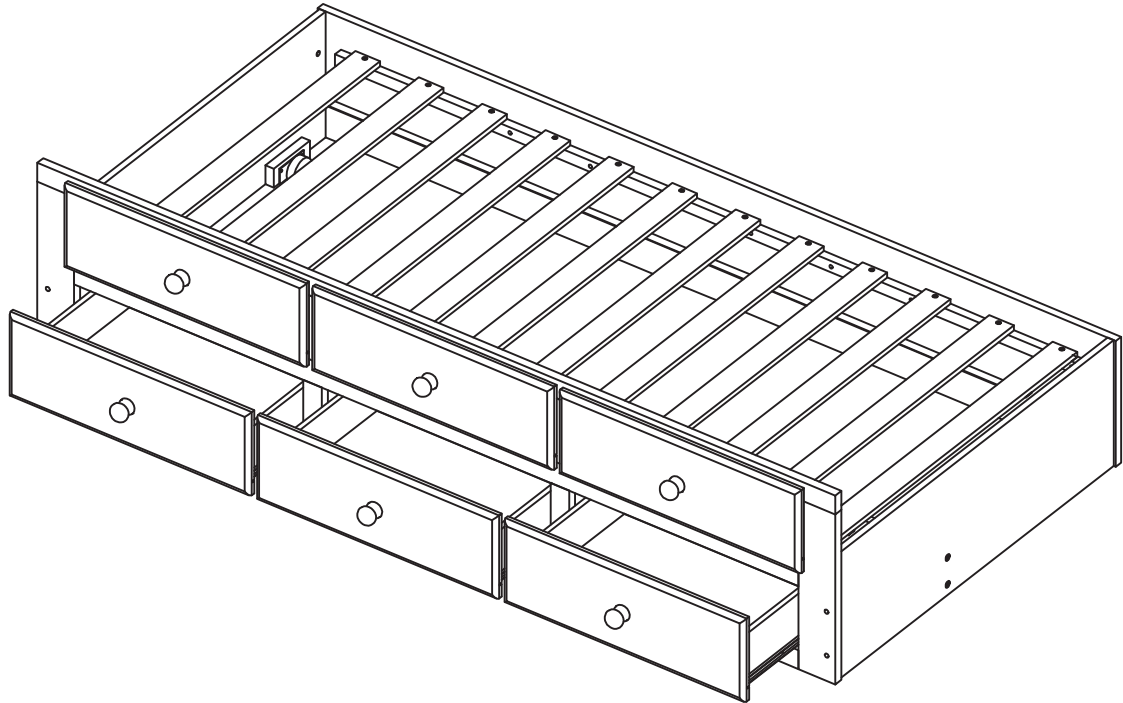


D	CSK M4 x 25mm		x 24
---	------------------	---	------

Tighten the Bolts.
When everything is put together
tighten all the Bolts.

Assembly Instructions Vancouver Captain Bed

1/6



Hardware

A	JCBC M6 x 60mm		x 12	H	CSK M4 x 25mm		x 36
B	JCBC M6 x 35mm		x 8	I	CSK M3.5 x 16mm		x 22
C	M6 x 15mm (Long) Barrel Nut		x 4	J	M4 Allen Key		x 1
D	M6 x 13mm (Short) Barrel Nut		x 8	K	Handle Screw M4 x 28mm		x 6
E	Wood Dowel M8 x 30mm		x 4	L	Caster		x 4
F	Minifix Housing (Short)		x 18	M	Wood Handle		x 6
G	Connecting Bolt (Short)		x 18				

ASSEMBLY TIPS

Remove hardware from box and sort by size to check that all hardware and parts are present before assembling. Follow instructions below in the proper sequence to ensure fast, easy and correct assembly.

⚠ WARNING !!

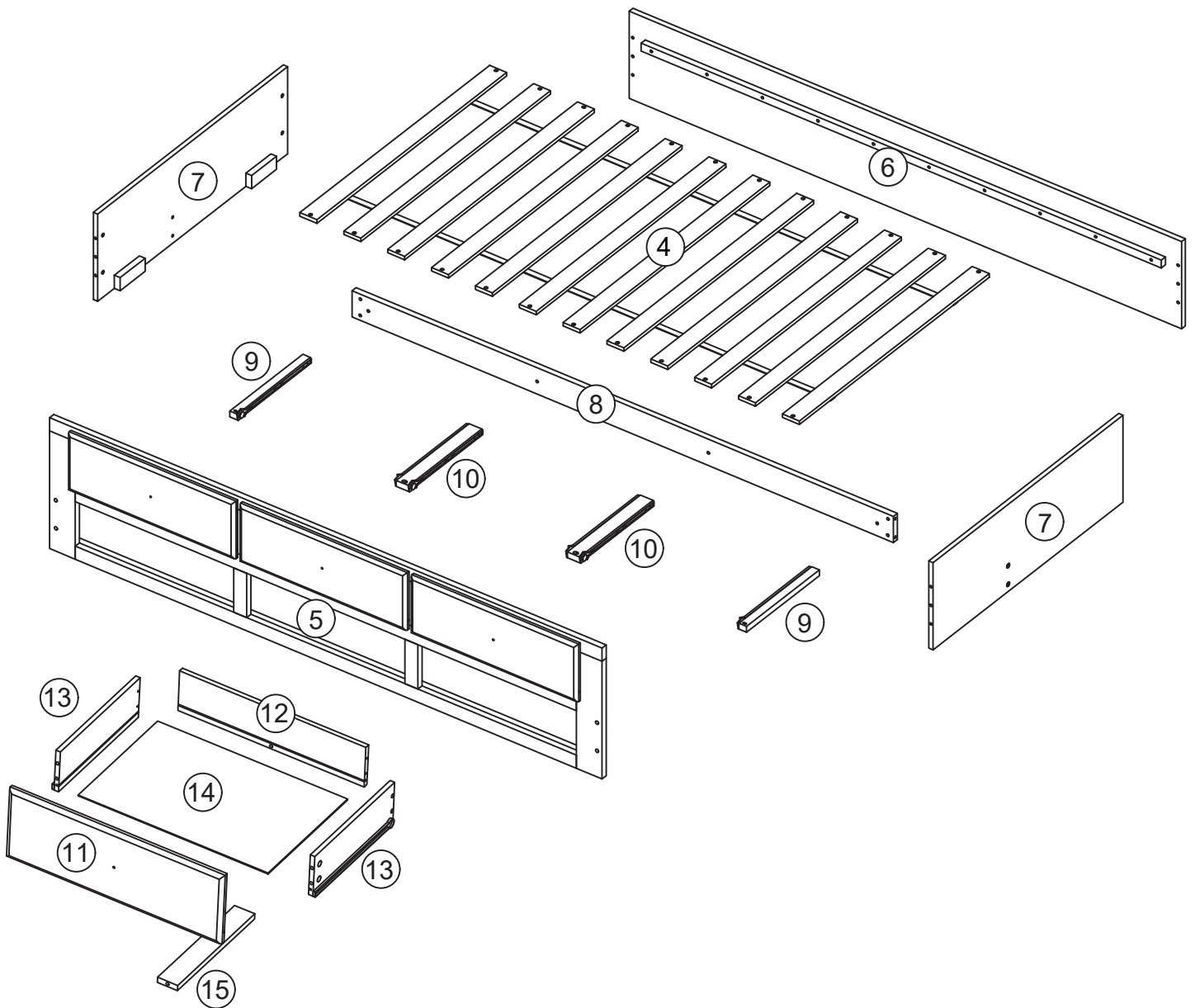
DO NOT FULLY TIGHTEN ALL BOLTS UNTIL ALL PARTS ARE IN PLACE. FAILURE TO FOLLOW THIS INSTRUCTION MAY CAUSE THE BOLTS TO BE MISALIGNED DURING THE ASSEMBLY.

Tool required for assembly :

- * Allen Key (supplied)
- * Phillips Screwdriver (not supplied)

Assembly Instructions Vancouver Captain Bed

Part in Box





Parts No	Description	Qty	Carton #
4	Bed Slats	1	2/2
5	Front Panel	1	2/2
6	Back Panel	1	2/2
7	Side Panel	2	2/2
8	Center Support	1	2/2
9	Bottom Support (Left & Right)	2	2/2

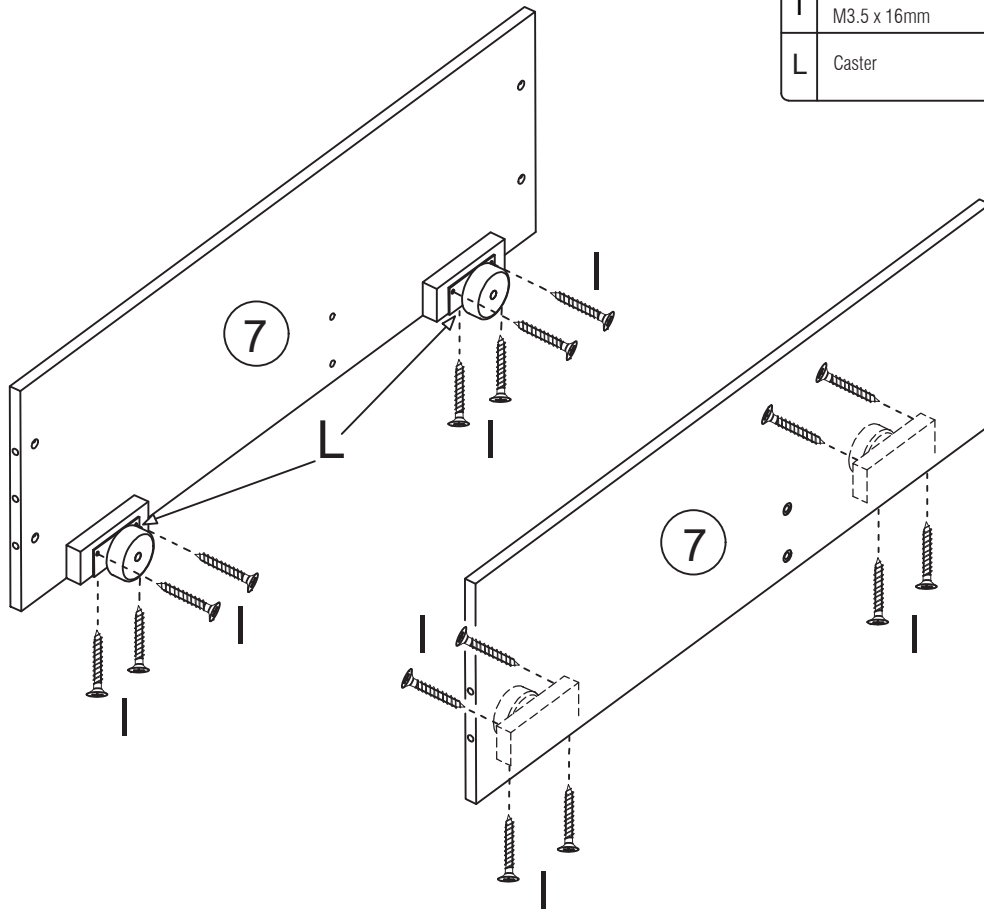
Parts No	Description	Qty	Carton #
10	Bottom Support (Mid.)	2	2/2
11	Drawer Face	3	2/2
12	Drawer Back Panel	3	2/2
13	Drawer Side Panel (Left & Right)	6	2/2
14	Drawer Bottom Panel	3	2/2
15	Drawer Bottom Support	3	2/2

Assembly Instructions Vancouver Captain Bed

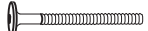
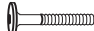

3/6

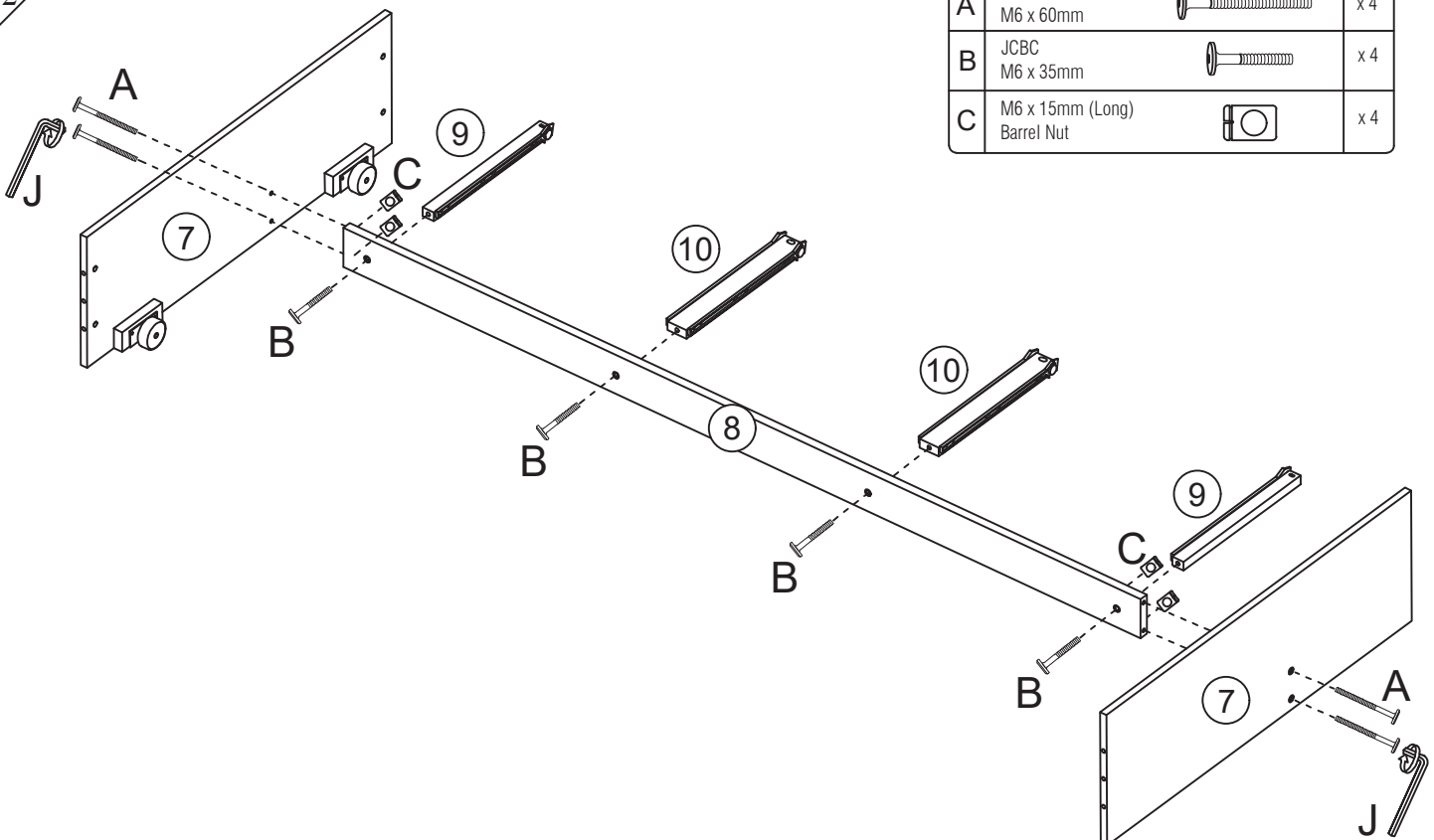
1

I	CSK M3.5 x 16mm		x 16
L	Caster		x 4



2




A	JCBC M6 x 60mm		x 4
B	JCBC M6 x 35mm		x 4
C	M6 x 15mm (Long) Barrel Nut		x 4

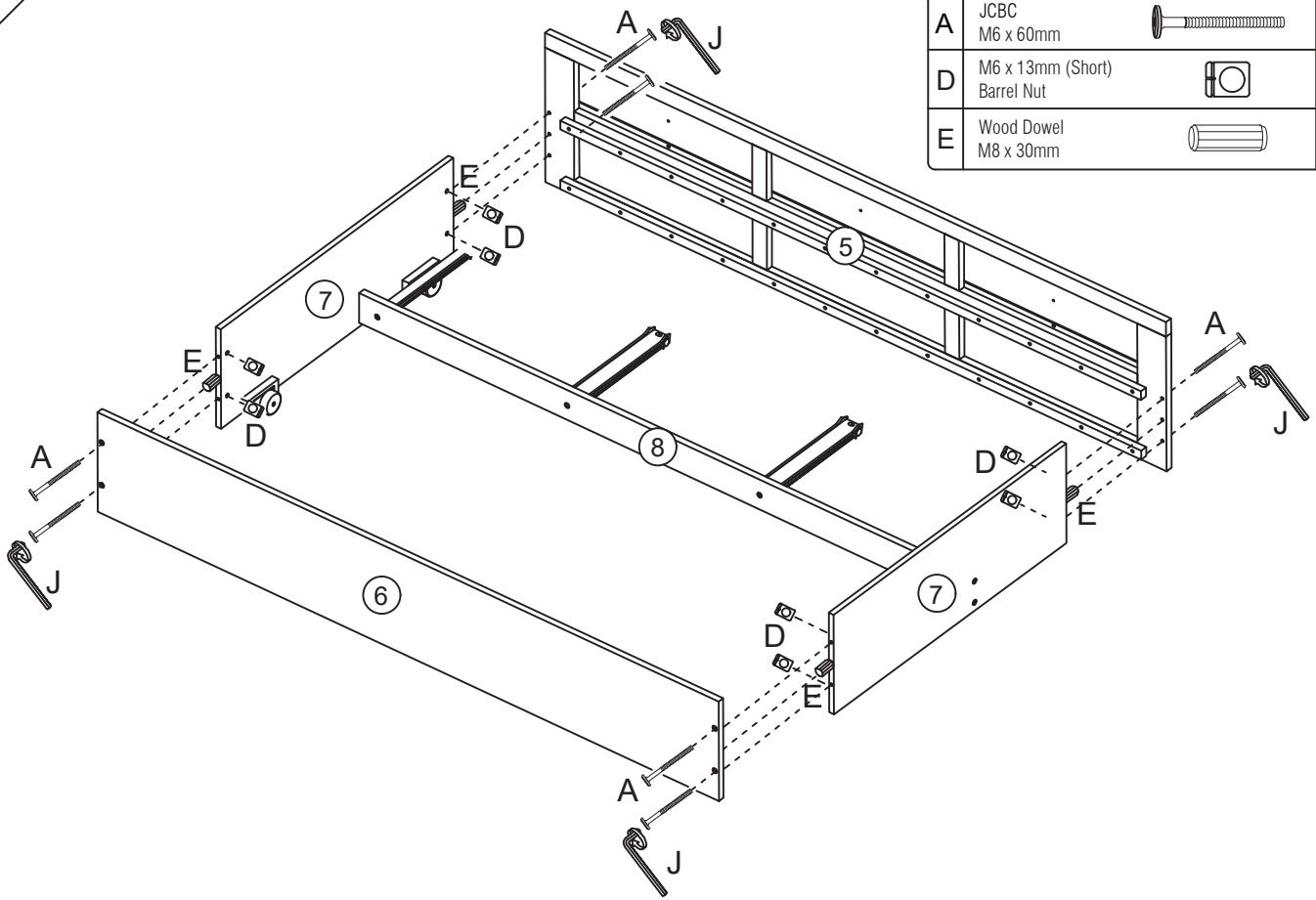


Assembly Instructions Vancouver Captain Bed

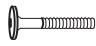



4/6

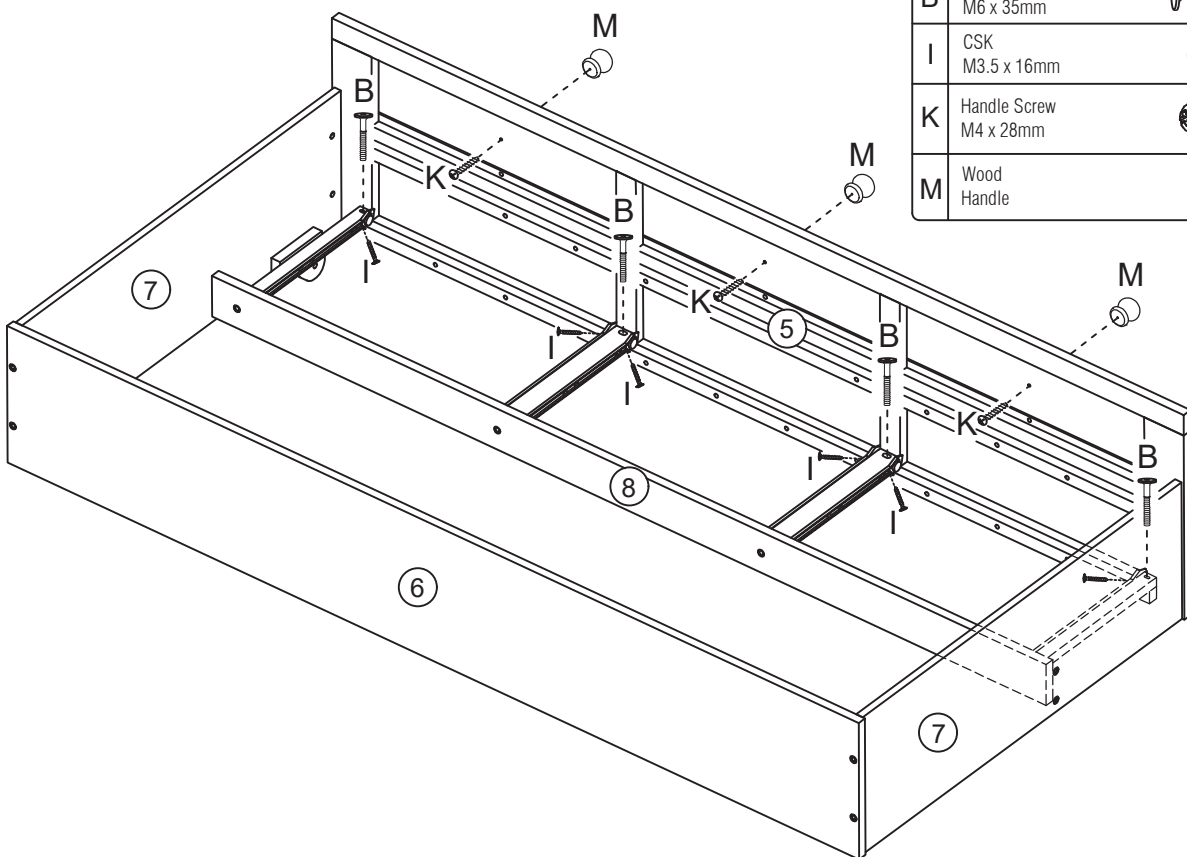
3

A	JCBC M6 x 60mm		x 8
D	M6 x 13mm (Short) Barrel Nut		x 8
E	Wood Dowel M8 x 30mm		x 4



4

B	JCBC M6 x 35mm		x 4
I	CSK M3.5 x 16mm		x 6
K	Handle Screw M4 x 28mm		x 3
M	Wood Handle		x 3

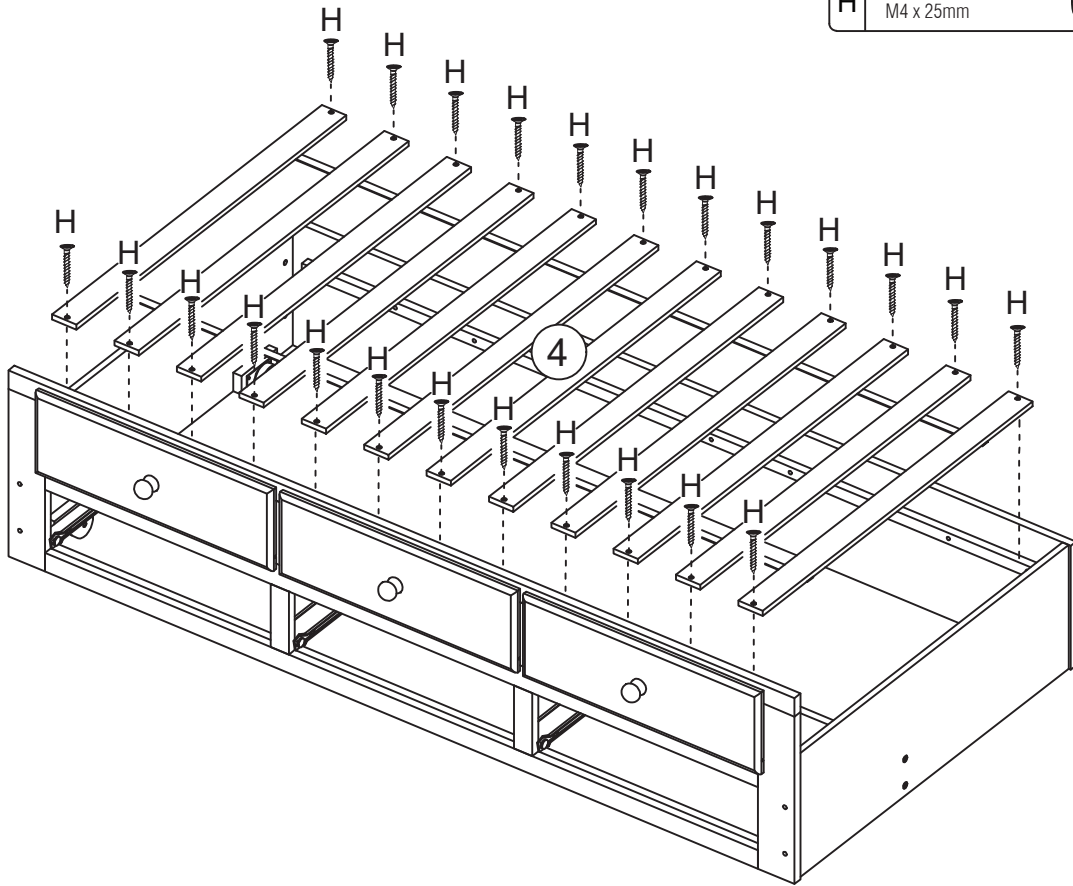


Assembly Instructions Vancouver Captain Bed


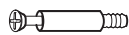
5/6

5

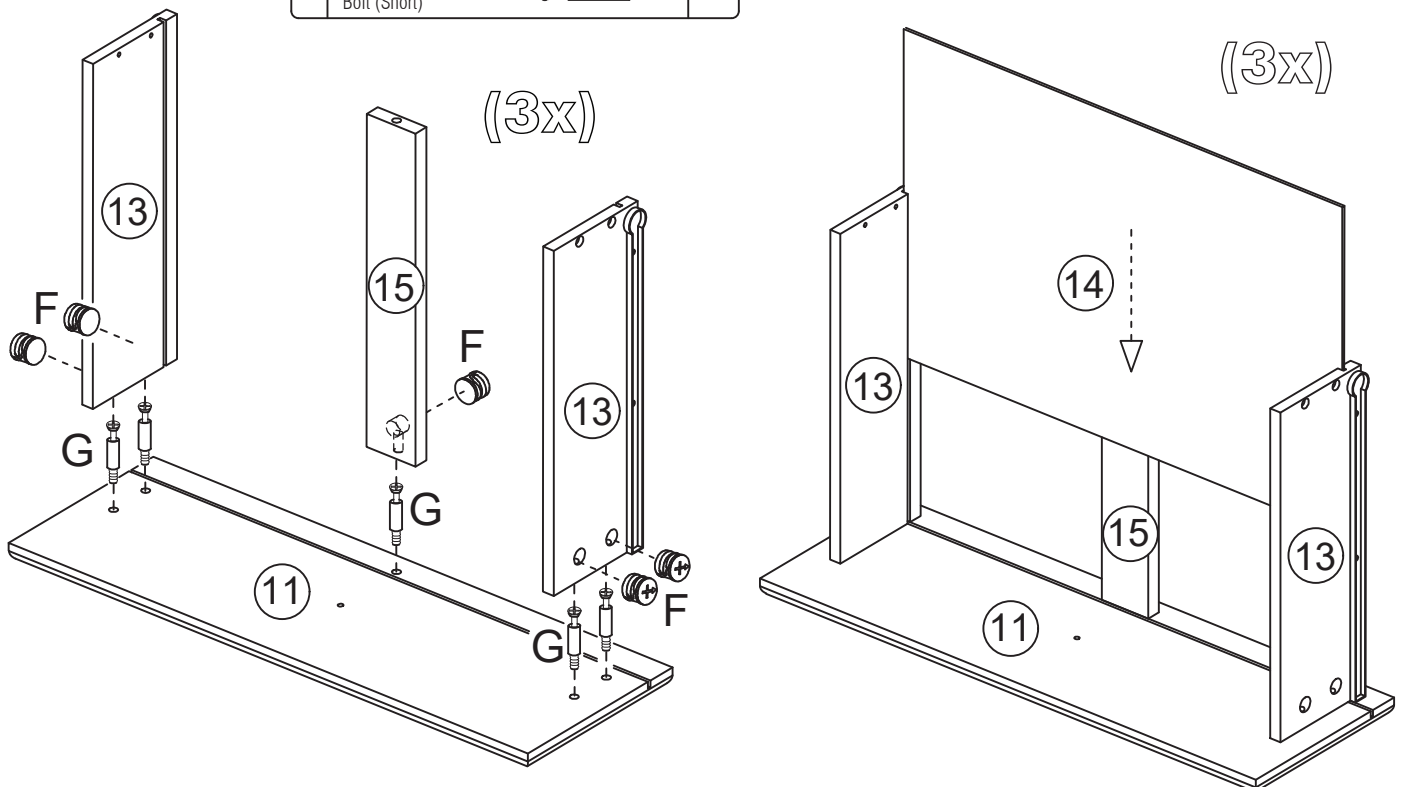
H	CSK M4 x 25mm		x 24
---	------------------	---	------



6

F	Minifix Housing (Short)		x 15
G	Connecting Bolt (Short)		x 15


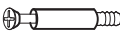
7






Assembly Instructions Vancouver Captain Bed

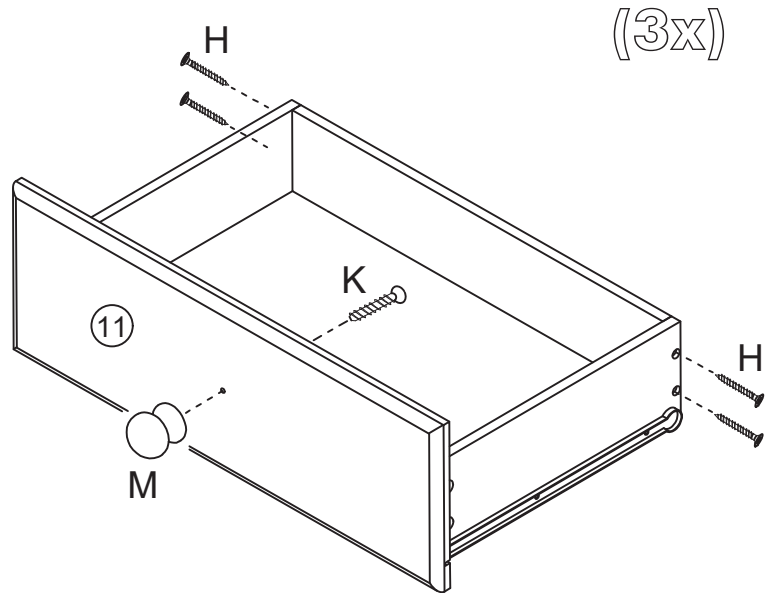
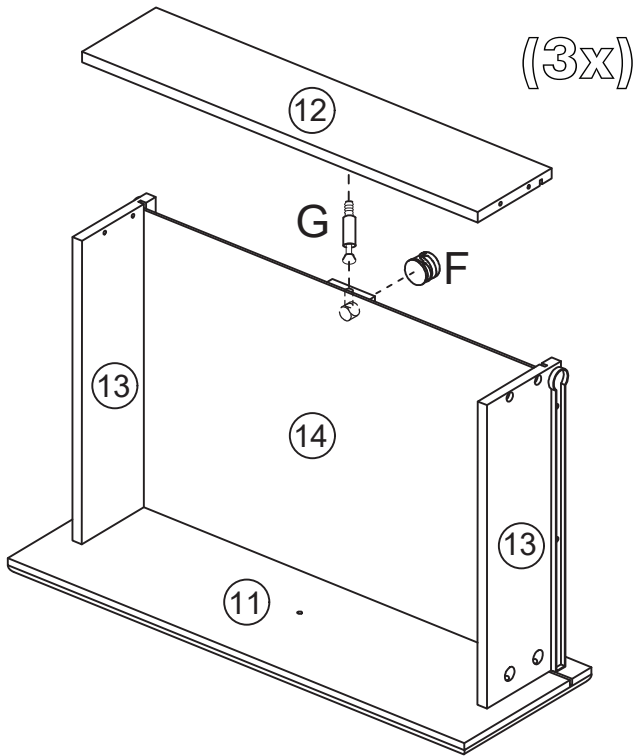
6/6

8

F	Minifix Housing (Short)		x 3
G	Connecting Bolt (Short)		x 3

9

H	CSK M4 x 25mm		x 12
K	Handle Screw M4 x 28mm		x 3
M	Wood Handle		x 3



10

